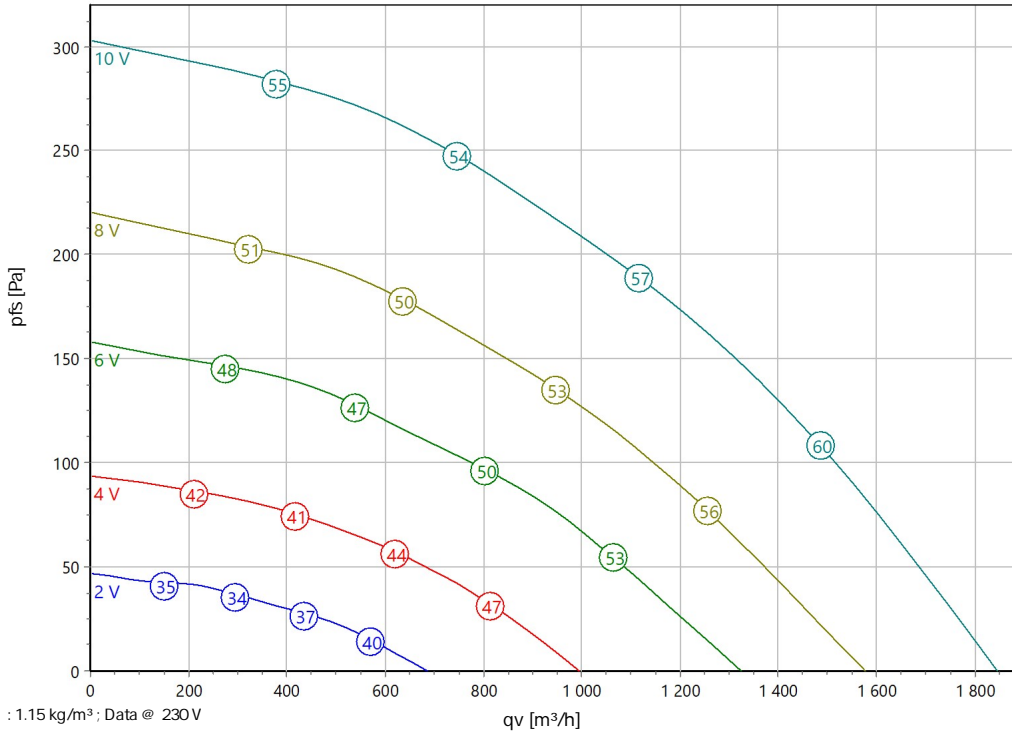




Type: **Z 315 G.3DI R**  
 Art.-No.: F05-31514



**Curve:**



**ErP-Data:**

	(EU) Nr. 1253/2014	(Lot6)
q <sub>v</sub>	1019	m³/h
p <sub>fs</sub>	214	Pa
η <sub>ed,fs</sub>	38.7	%
P <sub>ed</sub>	0.16	kW
n	1540	r/min
N	50	
v	3.63	m/s
η <sub>ed,fs</sub> Lot11	61.7	%

**Nominal Data:**

U [V]	f [Hz]	Data @ [V]	P <sub>ed</sub> [kW]	I <sub>N</sub> [A]	n <sub>N</sub> [r/min]	t <sub>R</sub> [°C]	k <sub>10</sub> [m²s/h]	I <sub>A</sub> / I <sub>N</sub>	IP	m [kg]
1-200-277	50/60	230	0.165	0.75	1540	-25 .. +50	-	-	IP 44	28.7

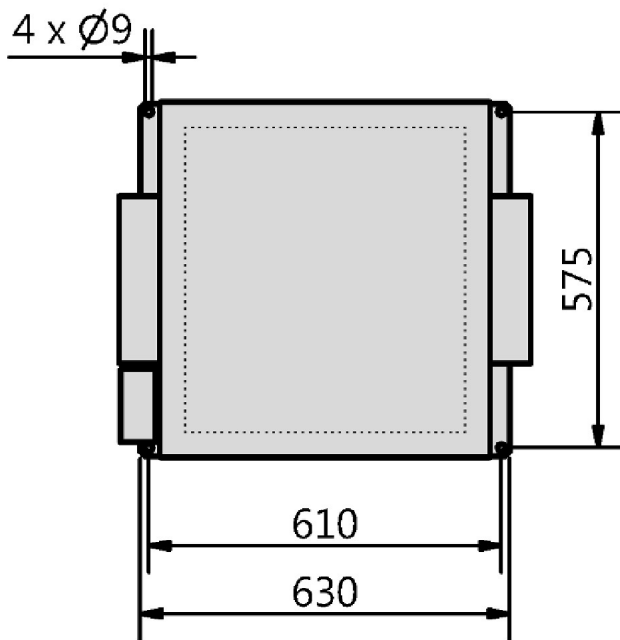
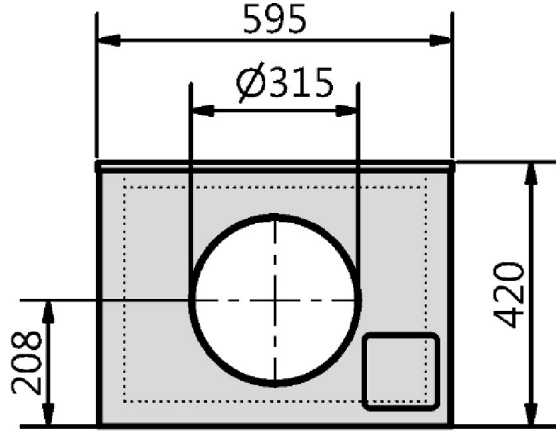
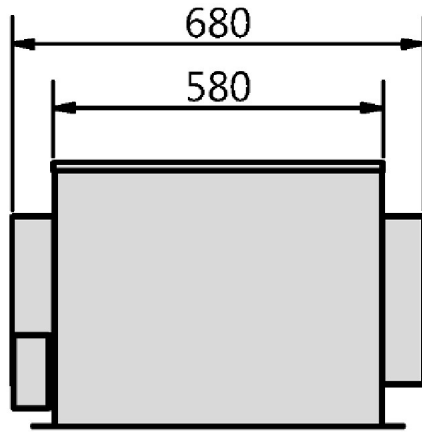
**Sound Data:**

Frequency		Frequency								Distances		
		125Hz	250Hz	500Hz	1kHz	2kHz	4kHz	8kHz	1 m	3 m		
L <sub>wA</sub> (D,in) [dB(A)]		-5	-4	-10	-11	-11	-18	-26	L <sub>pA</sub> (D,in) [dB(A)]	-7	-14	
L <sub>wA</sub> (D,out) [dB(A)]	5	-4	0	-2	-2	-4	-11	-21	L <sub>pA</sub> (D,out) [dB(A)]	-2	-9	
L <sub>wA</sub> (D,cas) [dB(A)]	-9	-13	-13	-17	-29	-35	-36	-37	L <sub>pA</sub> (D,cas) [dB(A)]	-16	-23	



Type: **Z 315 G.3DI R**

Art.-No.: F05-31514





Type: **Z 315 G.3DI R**

Art.-No.: F05-31514

