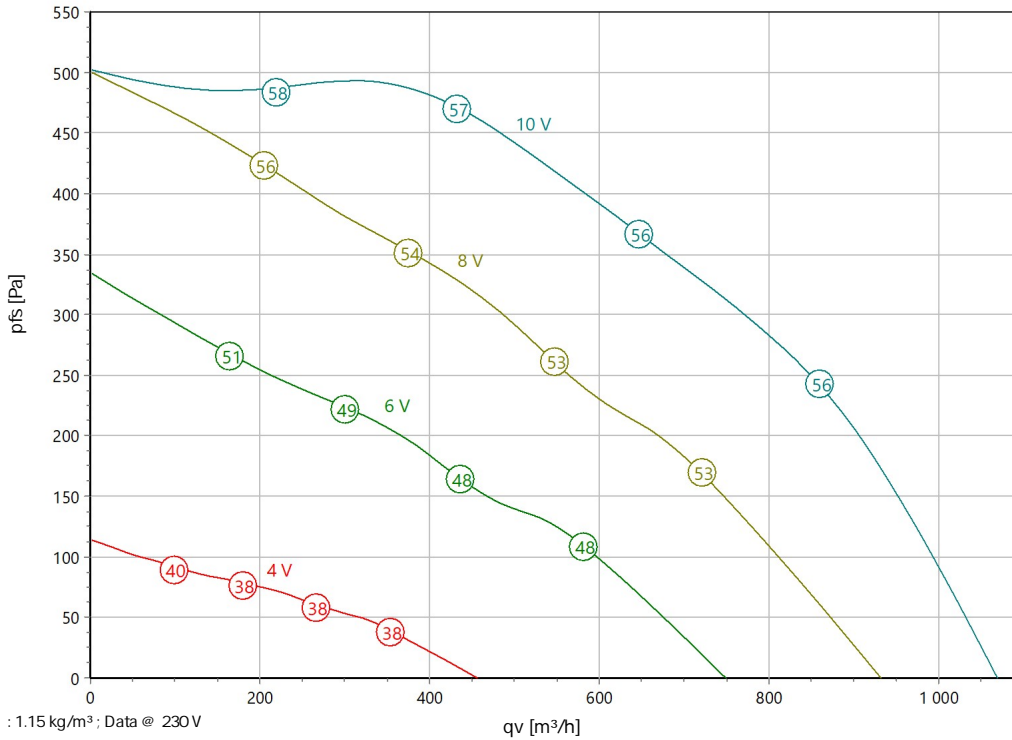




Type: **Z 250 G.3DI E2**  
Art.-No.: F05-25013



**Curve:**



**ErP-Data:**

	(EU) Nr. 1253/2014	(Lot6)
qv	751	m³/h
pfs	333	Pa
η <sub>ed,fs</sub>	32.4	%
P <sub>ed</sub>	0.22	kW
n	2434	r/min
N	42	
v	4.25	m/s
η <sub>ed,fs</sub> Lot11	42.9	%

**Nominal Data:**

U [V]	f [Hz]	Data @ [V]	P <sub>ed</sub> [kW]	I <sub>N</sub> [A]	n <sub>N</sub> [r/min]	t <sub>R</sub> [°C]	k <sub>10</sub> [m²s/h]	I <sub>A</sub> / I <sub>N</sub>	IP	m [kg]
1~200-277	50/60	230	0.22	0.99	2434	-25 .. +50	-	-	IP 44	17.4

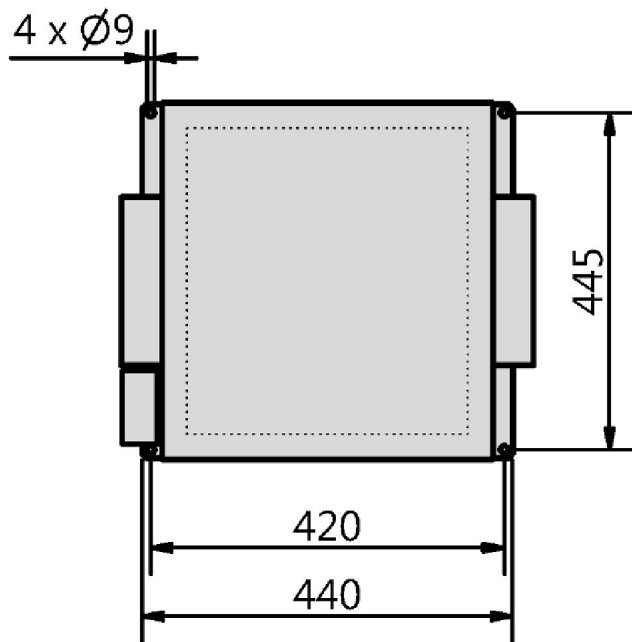
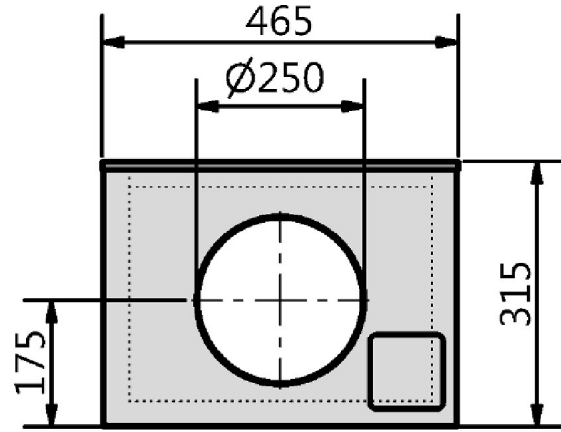
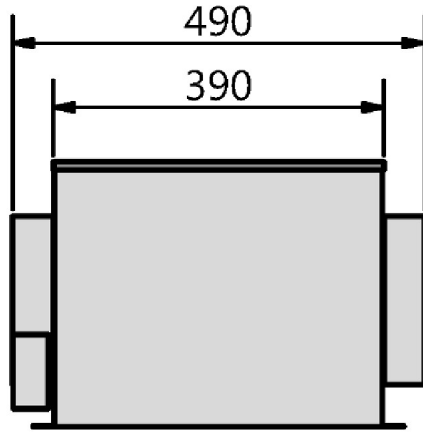
**Sound Data:**

Frequency			125Hz	250Hz	500Hz	1kHz	2kHz	4kHz	8kHz	Distances	1 m	3 m
LwA(D,in) [dB(A)]			-6	-5	-8	-10	-10	-11	-20	LpA(D,in) [dB(A)]	-7	-14
LwA(D,out) [dB(A)]	19		-5	4	8	14	15	10	5	LpA(D,out) [dB(A)]	12	4
LwA(D,cas) [dB(A)]	-5		-8	-10	-15	-17	-17	-22	-29	LpA(D,cas) [dB(A)]	-12	-19



Type: **Z 250 G.3DI E2**

Art.-No.: F05-25013





Type: **Z 250 G.3DI E2**

Art.-No.: F05-25013

