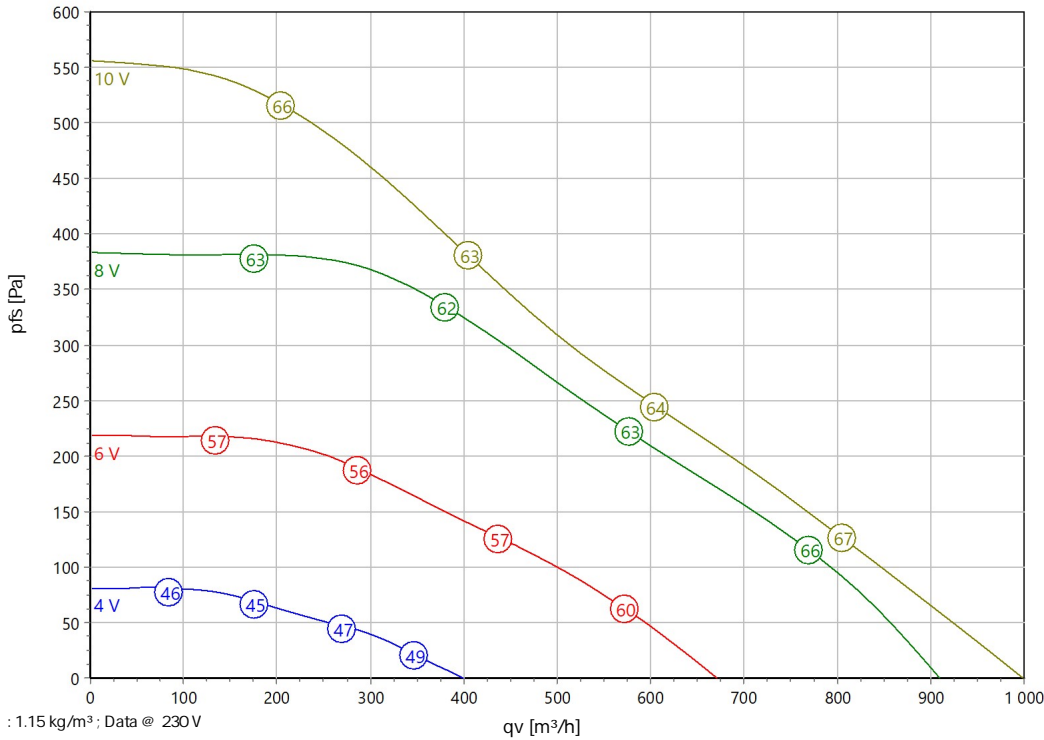




Type: **Z 200 G.3BK R**
 Art.-No.: F05-20014



Curve:



ErP-Data:

	(EU) Nr. 1253/2014	(Lot6)
q _v	432	m³/h
p _{fs}	384	Pa
η _{ed,fs}	36.4	%
P _{ed}	0.13	kW
n	2670	r/min
N	49	
v	3.82	m/s

Nominal Data:

U [V]	f [Hz]	Data @ [V]	P _{ed} [kW]	I _N [A]	n _N [r/min]	t _R [°C]	k ₁₀ [m²s/h]	I _A / I _N	IP	m [kg]
1~200-240	50/60	230	0.127	1.02	2670	-25 .. +50	-	-	IP 44	16.8

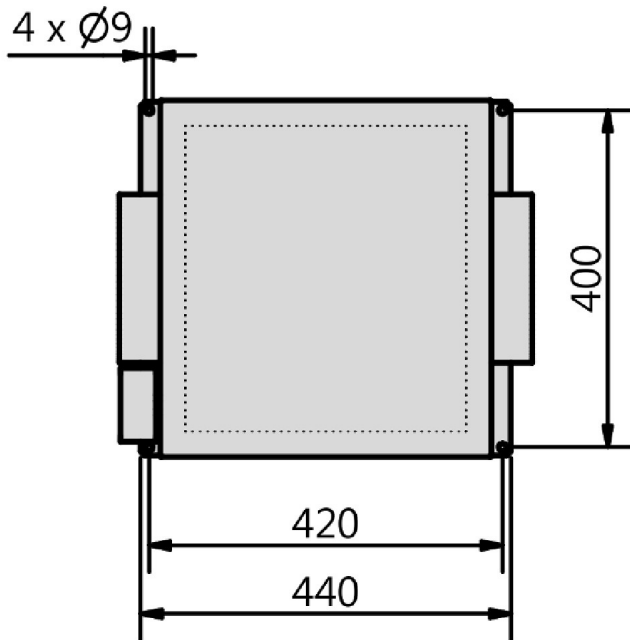
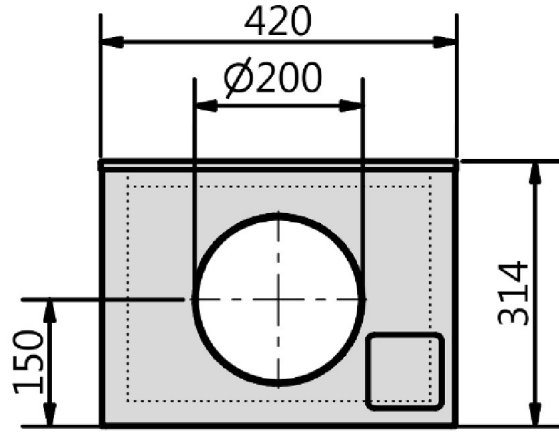
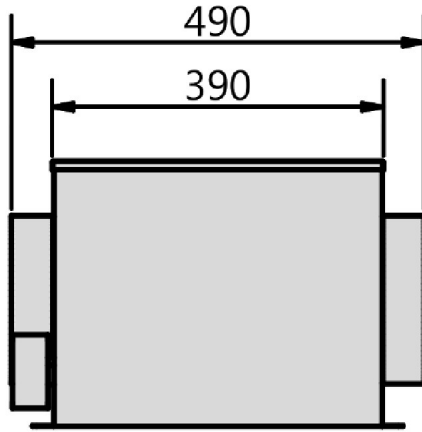
Sound Data:

Frequency		125Hz	250Hz	500Hz	1kHz	2kHz	4kHz	8kHz	Distances	1 m	3 m
L _{wA} (D,in) [dB(A)]		-18	-4	-8	-9	-9	-9	-13	L _{pA} (D,in) [dB(A)]	-7	-14
L _{wA} (D,out) [dB(A)]	9	-17	6	0	0	0	-1	-8	L _{pA} (D,out) [dB(A)]	2	-5
L _{wA} (D,cas) [dB(A)]	-11	-19	-13	-19	-26	-30	-36	-39	L _{pA} (D,cas) [dB(A)]	-18	-25



Type: **Z 200 G.3BK R**

Art.-No.: F05-20014





Type: **Z 200 G.3BK R**

Art.-No.: F05-20014

