

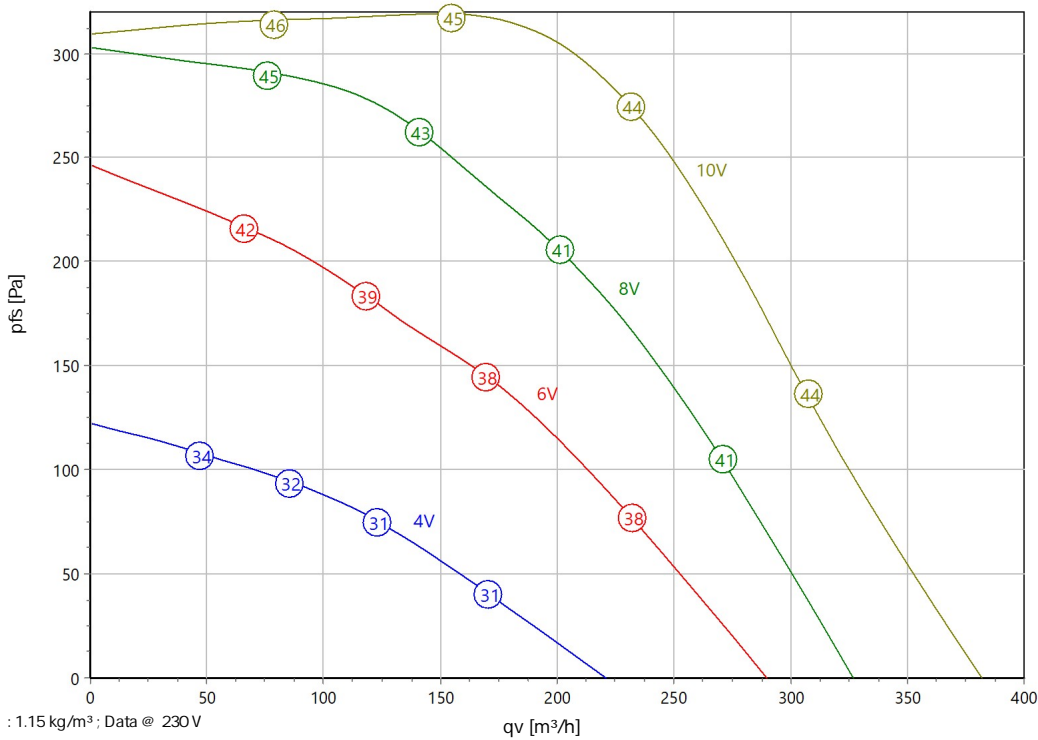


Type: **Z 125 G.3BK E1**

Art.-No.: F05-12509



**Curve:**



**ErP-Data:**

	(EU) Nr. 1253/2014	(Lot6)
qv	211	m³/h
pfs	309	Pa
η <sub>ed,fs</sub>	29.7	%
P <sub>ed</sub>	0.061	kW
n	2619	r/min
N	47	
v	4.76	m/s

**Nominal Data:**

U [V]	f [Hz]	Data @ [V]	P <sub>ed</sub> [kW]	I <sub>N</sub> [A]	n <sub>N</sub> [r/min]	t <sub>R</sub> [°C]	k <sub>10</sub> [m²s/h]	I <sub>A</sub> / I <sub>N</sub>	IP	m [kg]
1-200-240	50/60	230	0.065	0.45	2600	-25 .. +50	-	-	IP 44	12.4

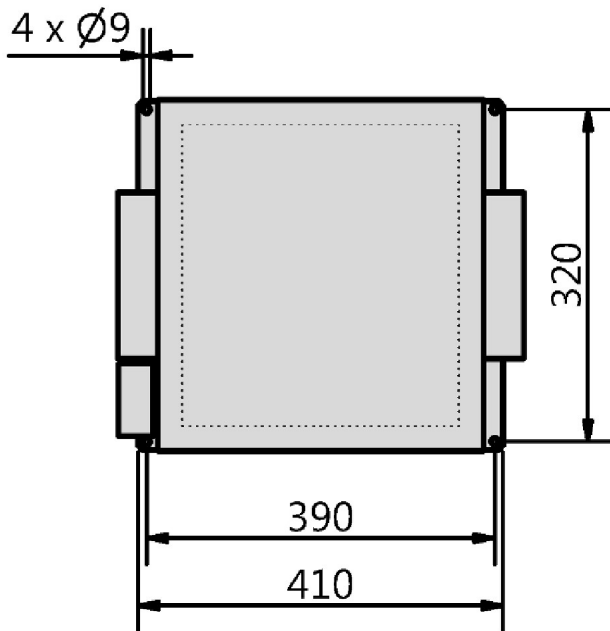
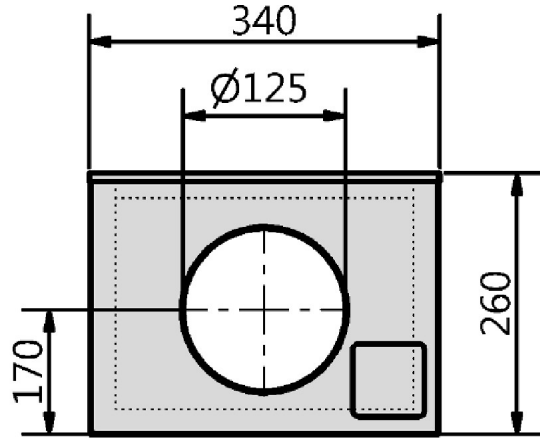
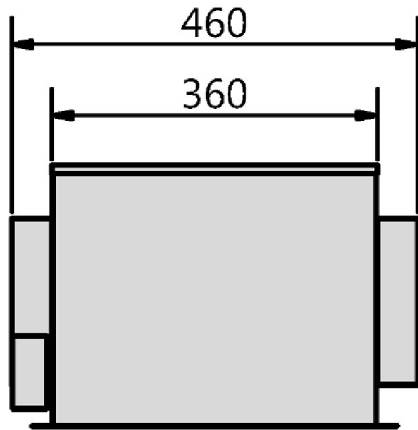
**Sound Data:**

Frequency			125Hz	250Hz	500Hz	1kHz	2kHz	4kHz	8kHz	Distances	1 m	3 m
LwA(D,in) [dB(A)]			-7	-5	-7	-8	-12	-13	-18	LpA(D,in) [dB(A)]	-7	-14
LwA(D,out) [dB(A)]	21		6	13	13	15	15	12	3	LpA(D,out) [dB(A)]	14	6
LwA(D,cas) [dB(A)]	-3		-10	-8	-9	-13	-14	-16	-20	LpA(D,cas) [dB(A)]	-10	-17



Type: **Z 125 G.3BK E1**

Art.-No.: F05-12509





Type: **Z 125 G.3BK E1**

Art.-No.: F05-12509

