



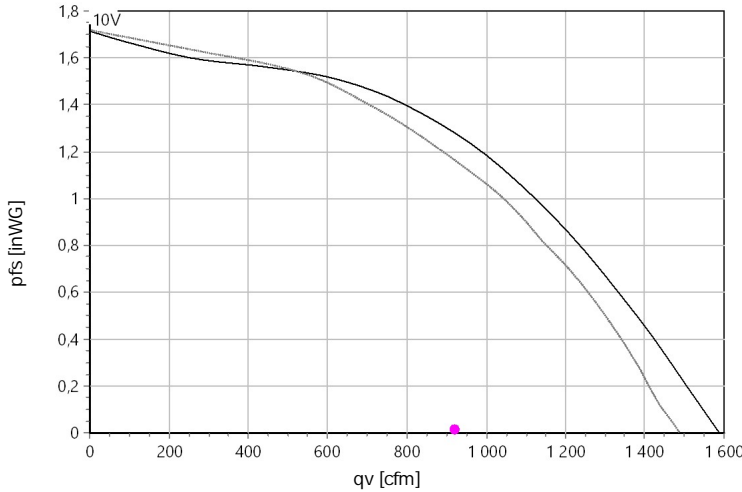
Box Fan

Type: **UNOR 50-315-G.3DI**

Art.-No.: F15-31505



Curve:



Operating Point:

qv	920	cfm
Dfs	0,014	inWG
Dfd	0,003	inWG
η _{ed,fs}	4	%
η _{ed,tot}	5	%
P _{ed}	0,04	kW
I	0,22	A
n	1065	1/min
L _{wA 6}	65	dB(A)
Control	5	V

ErP-Data:

Type:	Lot6	
qv	1044	cfm
p _{fs}	1,124	inWG
η _{ed,fs}	55,6	%
P _{ed}	0,25	kW
n	1800	1/min
N	64	
v	3,99	ft/s
n _{ed,fs} Lot11	62,6	%

v	3,52	ft/s
---	------	------

Density: 1,15 kg/m³

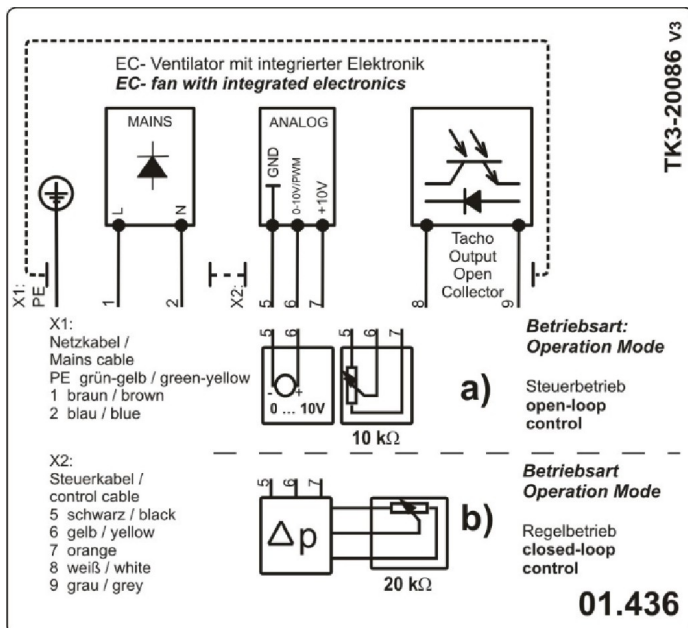
Technical Data:

U [V]	f [Hz]	P _e [kW]	I _N [A]	n _N [1/min]	C [μF]	t _R [°C]	k ₁₀ [m ² s/h]	I _A / I _N	IP	m [kg]
1-200-277	50/60	0,25	1,12	1800	-	50	90	-	IP 54	30

Sound:

			125Hz	250Hz	500Hz	1KHz	2KHz	4KHz	8KHz
L _{wA2} [db(A)]	Housing	45	39	43	33	28	22	12	8
L _{wA5} [db(A)]	Inlet	58	37	50	54	51	50	46	40
L _{wA6} [db(A)]	Outlet	65	45	60	61	58	53	46	41

Wiring Diagram:



Drawing:

