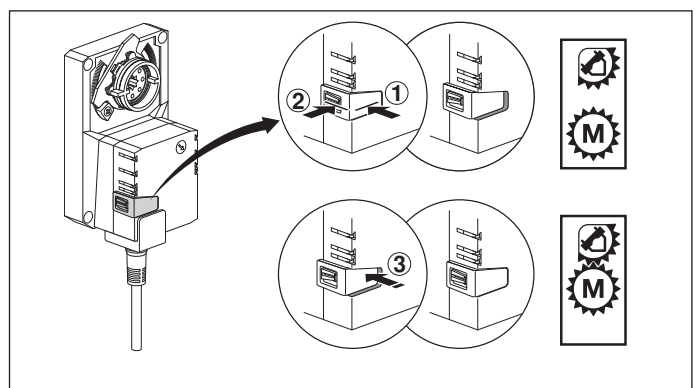
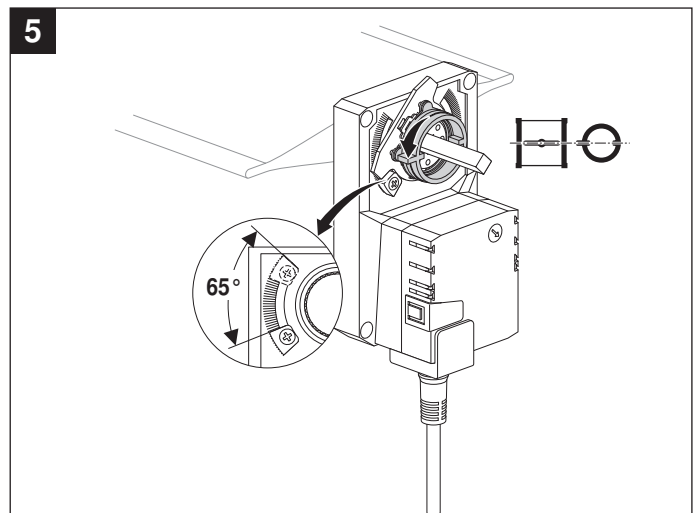
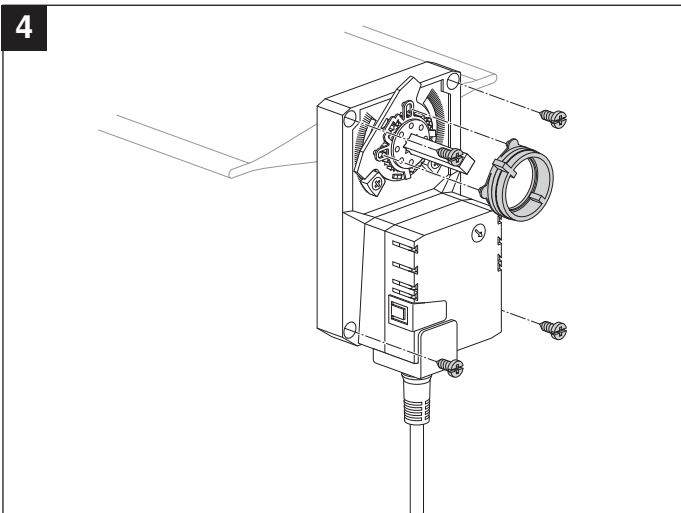
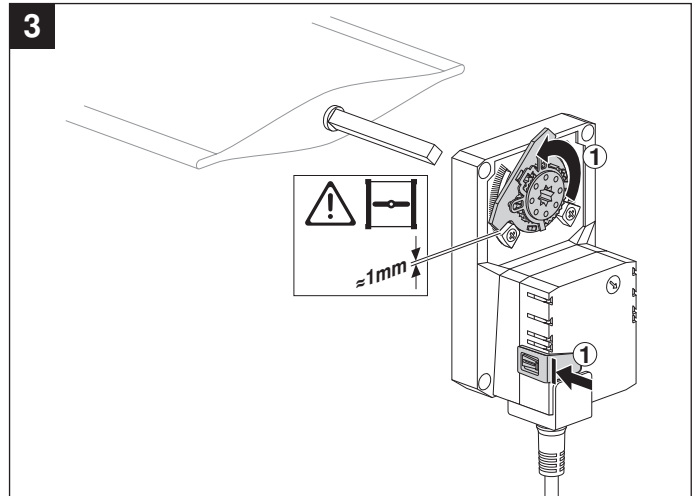
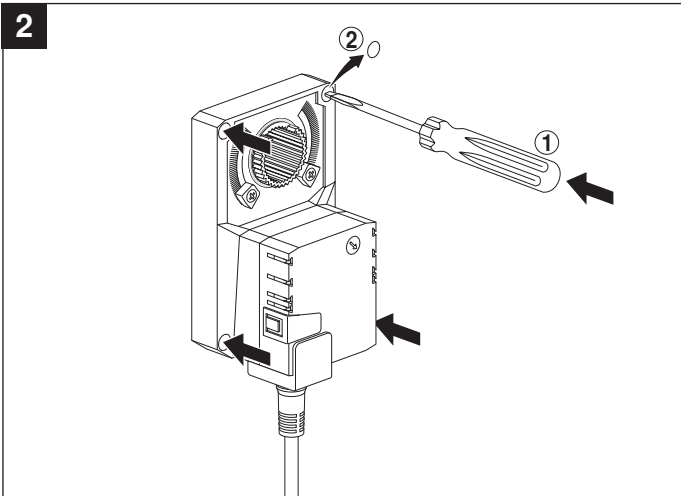
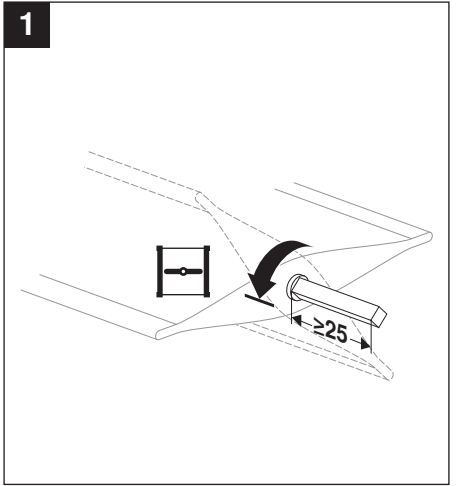
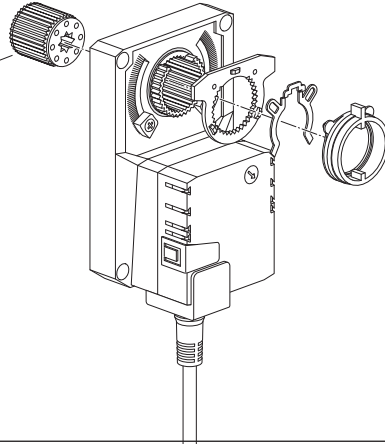
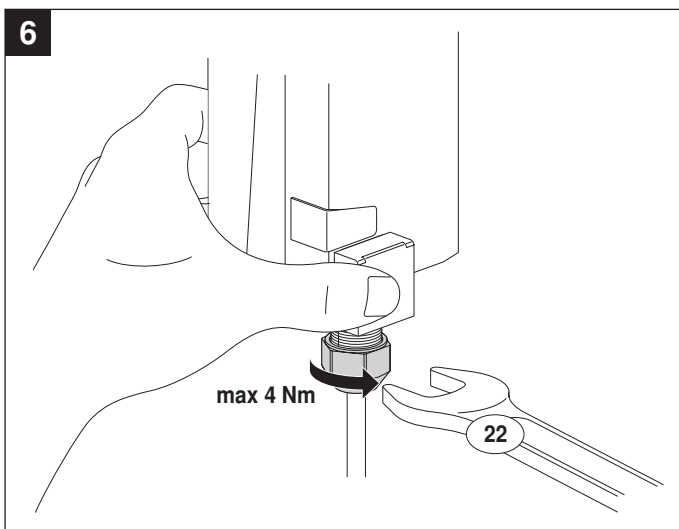
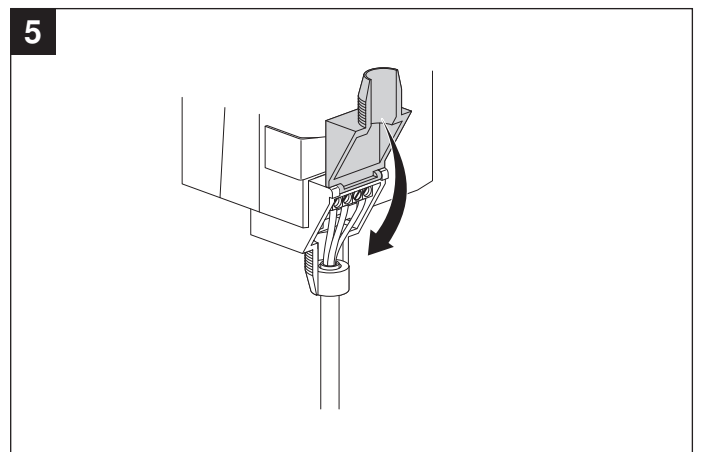
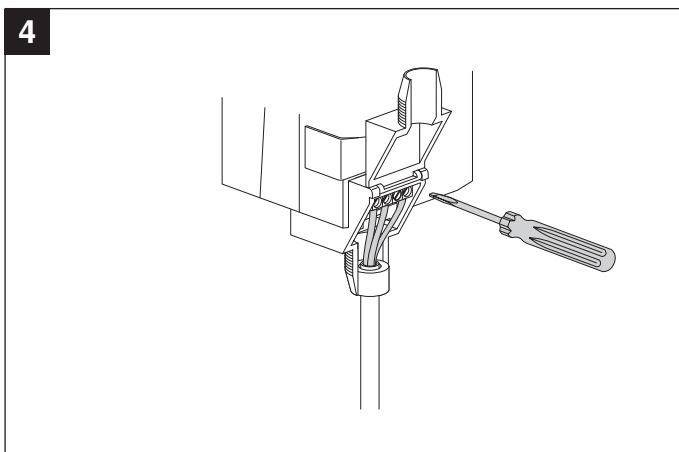
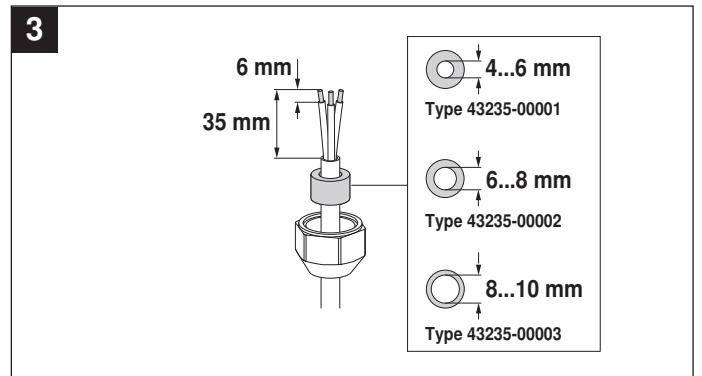
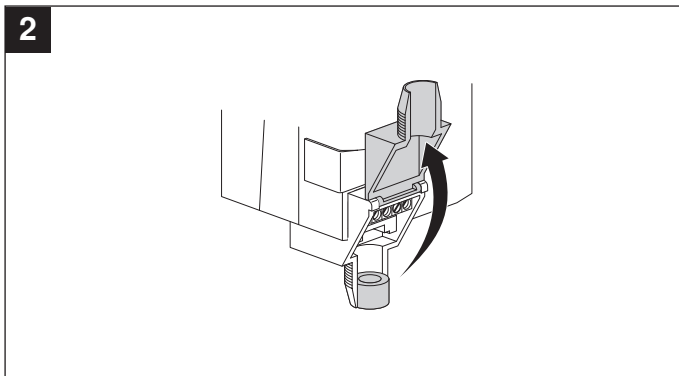
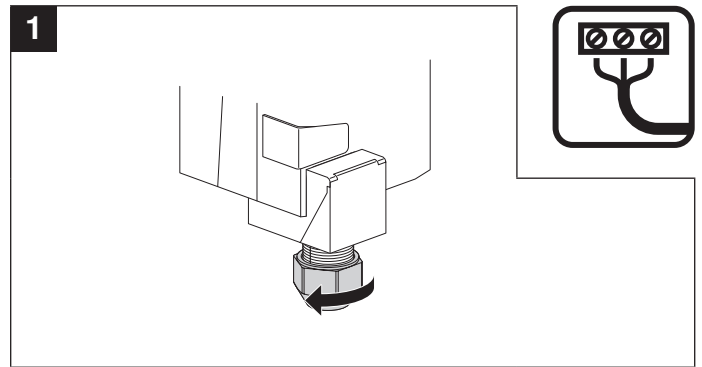
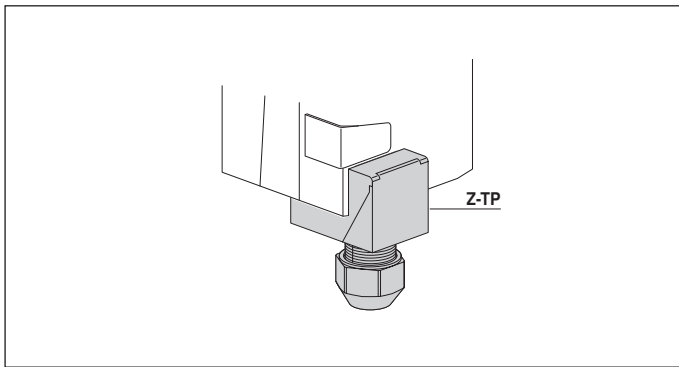
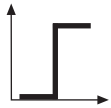
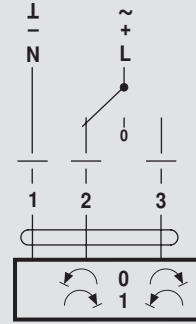
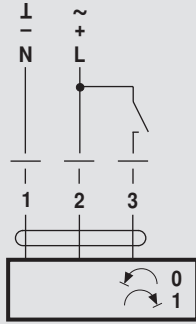


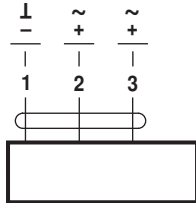
ZF10-NSA
ZF12-NSA
ZF16-NSA



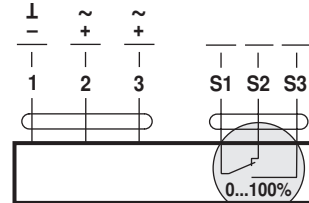




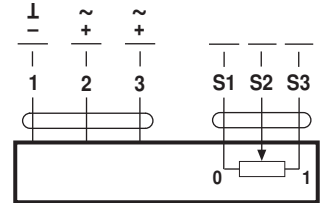
AC 24 V / DC 24 V



SM24A..
SMD24A..

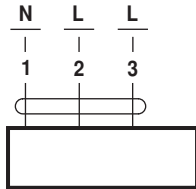


SM24A-S..

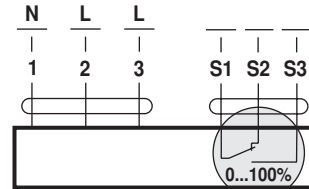


SM24AP5..

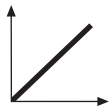
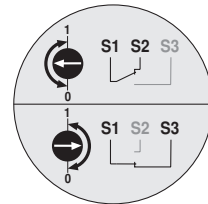
AC 100 ... 240 V ⚠



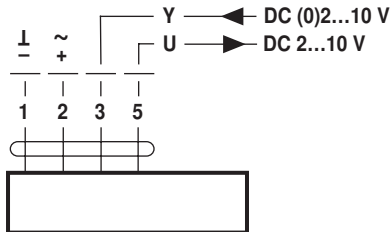
SM230A..
SMD230A..



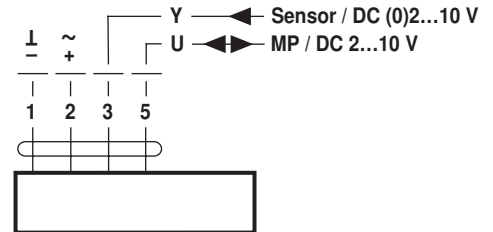
SM230A-S..



AC 24 V / DC 24 V

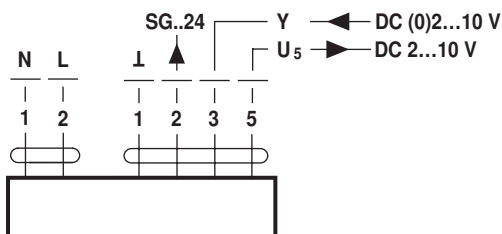


SM24A-SR..
SM24A-MF..



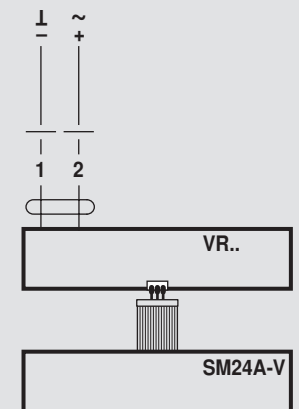
SM24A-MP..

AC 100 ... 240 V ⚠

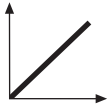


SM230ASR..

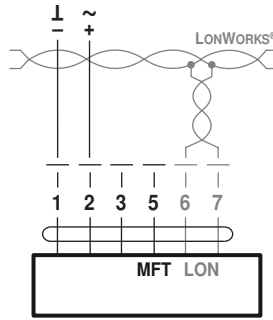
AC 24 V / DC 24 V
(SM24A-V / VR..)



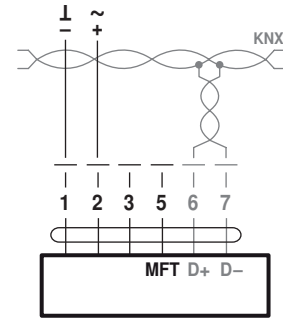
SM24A-V / VR..



AC 24 V / DC 24 V

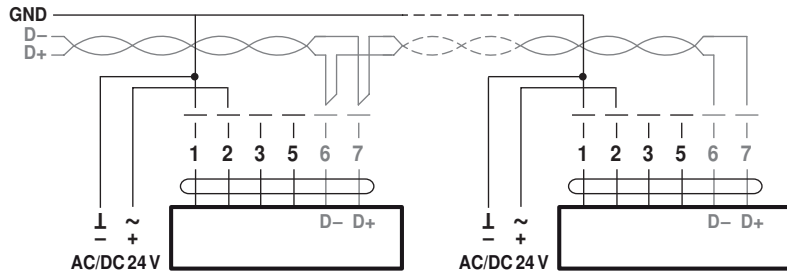


..M24ALON



..M24A-KNX

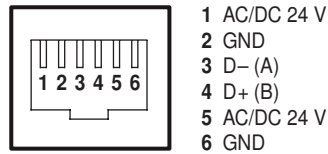
BACnet MS/TP / Modbus RTU



..M(C)24A-MOD

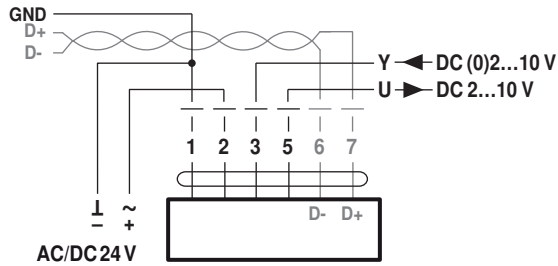
..M(C)24A-MOD

BACnet MS/TP / Modbus RTU

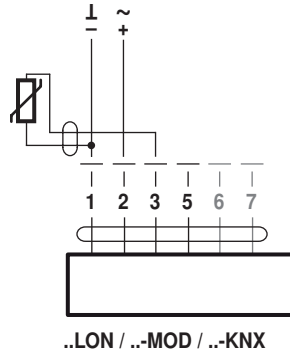


..M24A-MOD-J6

BACnet MS/TP / Modbus RTU / analog



..M(C)24A-MOD



| | | |
|--------|----------------------------|-----------------------------|
| Ni1000 | -28...+98°C | 850...1600 Ω ²⁾ |
| PT1000 | -35...+155°C | 850...1600 Ω ²⁾ |
| NTC | -10...+160°C ¹⁾ | 200 Ω...60 kΩ ²⁾ |

