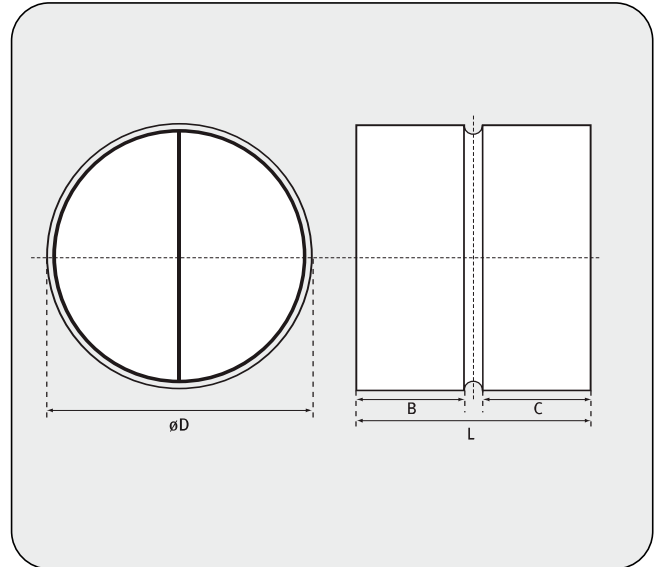


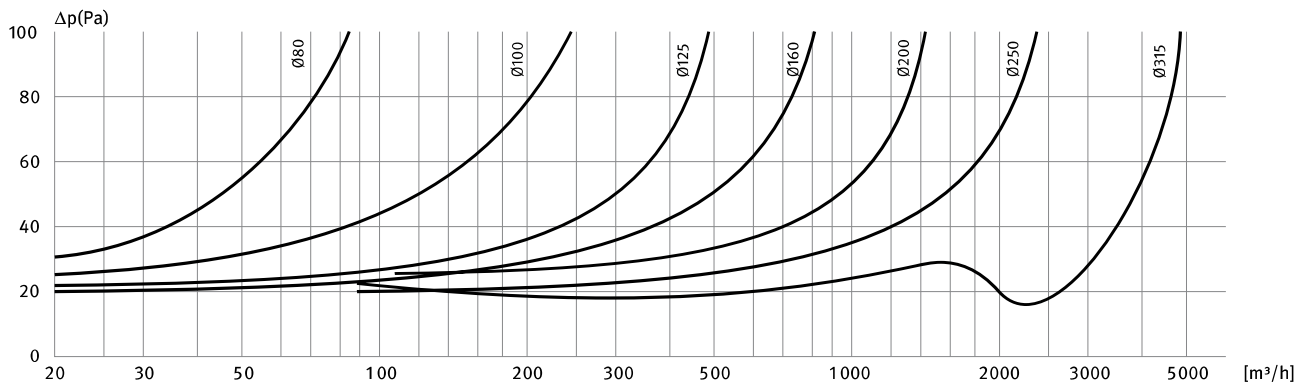


BACK DRAFT DAMPER

RSK



PRESSURE LOSS DIAGRAM



MATERIAL

- galvanized steel

DESCRIPTION

Back draft damper for round ducts is made of galvanized steel. The damper's blades (oscillating) are closed by a spring which allows for damper assembly in any position. Used to allow air flow in only one direction.

PRODUCT CHARACTERISTICS

- blade is equipped with closing spring
- may be installed in any position
- equipped with gasket inside

Type	øD (mm)	L (mm)	B (mm)	C (mm)	Box quantity
100	100	88	38	38	100
125	125	88	38	38	64
150	150	88	38	38	36
160	160	88	38	38	36
200	200	88	38	38	16
250	250	128	59	59	8
315	315	128	59	59	8
355	355	197	75	75	1
400	400	197	75	75	1