



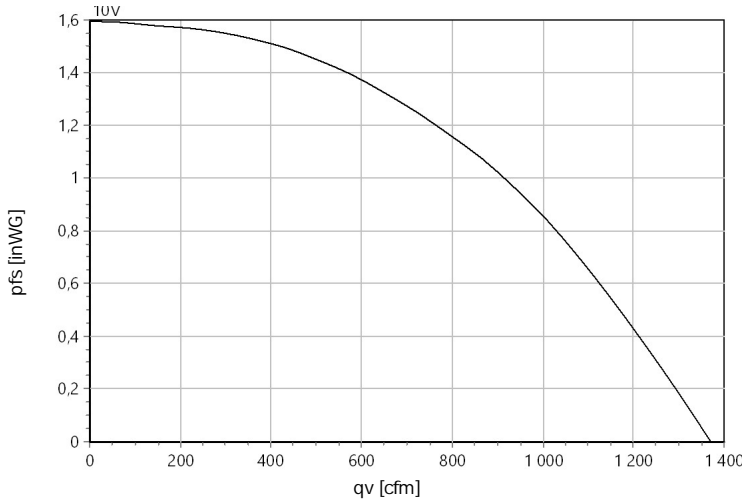
Tube Fan

Type: **R 355 G.3DI**

Art.-No.: F02-35502



Curve:



Density: 1,15 kg/m³

ErP-Data:

Type:	Lot6	
q _v	818,7	cfm
p _{fs}	1,189	inWG
n _{ed,fs}	48,1	%
P _{ed}	0,24	kW
n	1805	1/min
N	57	
v	12,8	ft/s

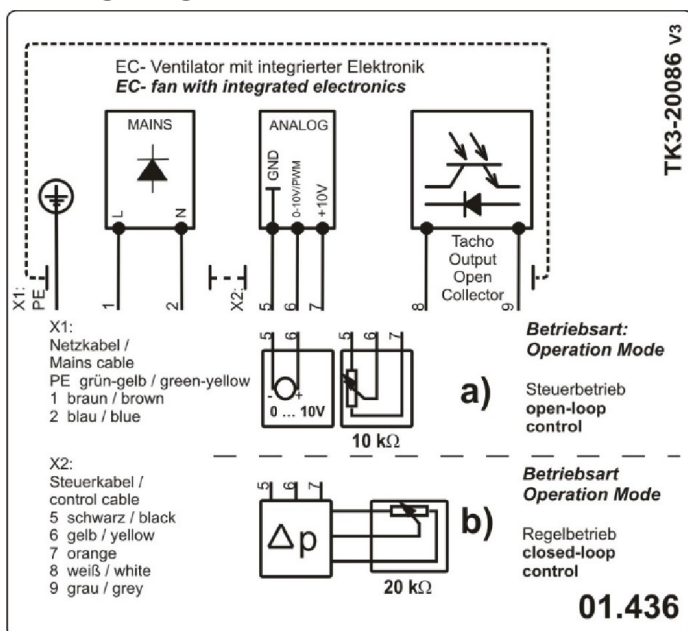
Technical Data:

U [V]	f [Hz]	P _e [kW]	I _N [A]	n _N [1/min]	C [μF]	t _R [°C]	k ₁₀ [m ² s/h]	I _A / I _N	IP	m [kg]
1~230	50/60	0,24	1,08	1800	-	50	-	-	IP 54	11,3

Sound:

			125Hz	250Hz	500Hz	1KHz	2KHz	4KHz	8KHz
LwA2 [db(A)]	Housing	-16	-29	-22	-22	-21	-26	-32	-40
LwA5 [db(A)]	Inlet	1	-14	-5	-5	-6	-6	-11	-21
LwA6 [db(A)]	Outlet	0	-16	-10	-7	-5	-6	-10	-21

Wiring Diagram:



Drawing:

