



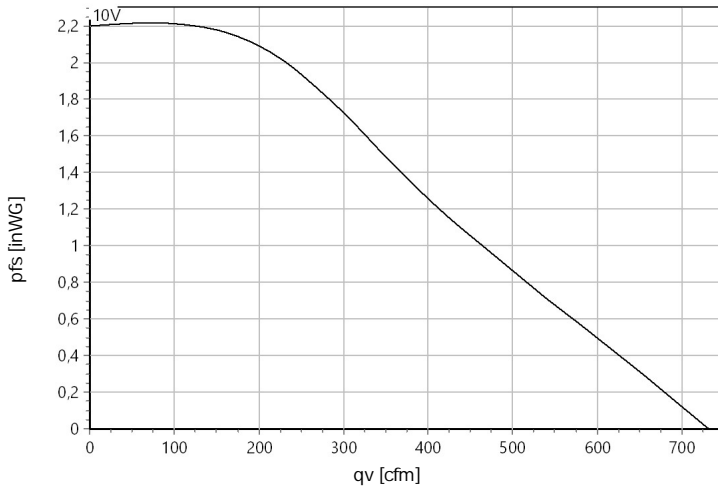
Tube Fan

Type: **R 250 G.3BK**

Art.-No.: F02-25000



Curve:



Density: 1,15 kg/m³

ErP-Data:

Type:	Lot6	
q _v	348,5	cfm
p _{fs}	1,558	inWG
n _{ed,fs}	39,6	%
P _{ed}	0,161	kW
n	2760	1/min
N	51	
v	11,0	ft/s

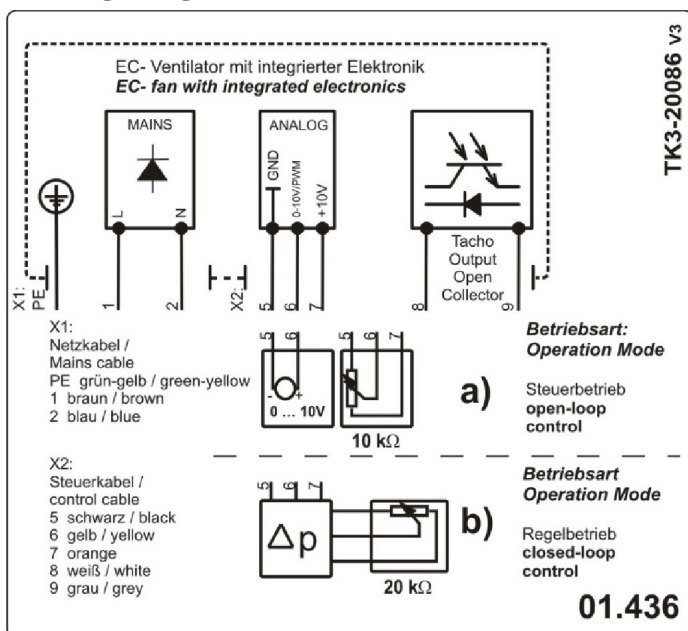
Technical Data:

U [V]	f [Hz]	P _e [kW]	I _N [A]	n _N [1/min]	C [μF]	t _r [°C]	k ₁₀ [m ² s/h]	I _A / I _N	IP	m [kg]
1~230	50/60	0,16	1,1	2760	-	50	-	-	IP 44	3,9

Sound:

			125Hz	250Hz	500Hz	1KHz	2KHz	4KHz	8KHz
L _{wA2} [db(A)]	Housing	-17	-32	-31	-22	-22	-24	-29	-41
L _{wA5} [db(A)]	Inlet	-1	-19	-8	-7	-6	-10	-13	-20
L _{wA6} [db(A)]	Outlet	0	-21	-8	-7	-5	-7	-10	-19

Wiring Diagram:



Drawing:

