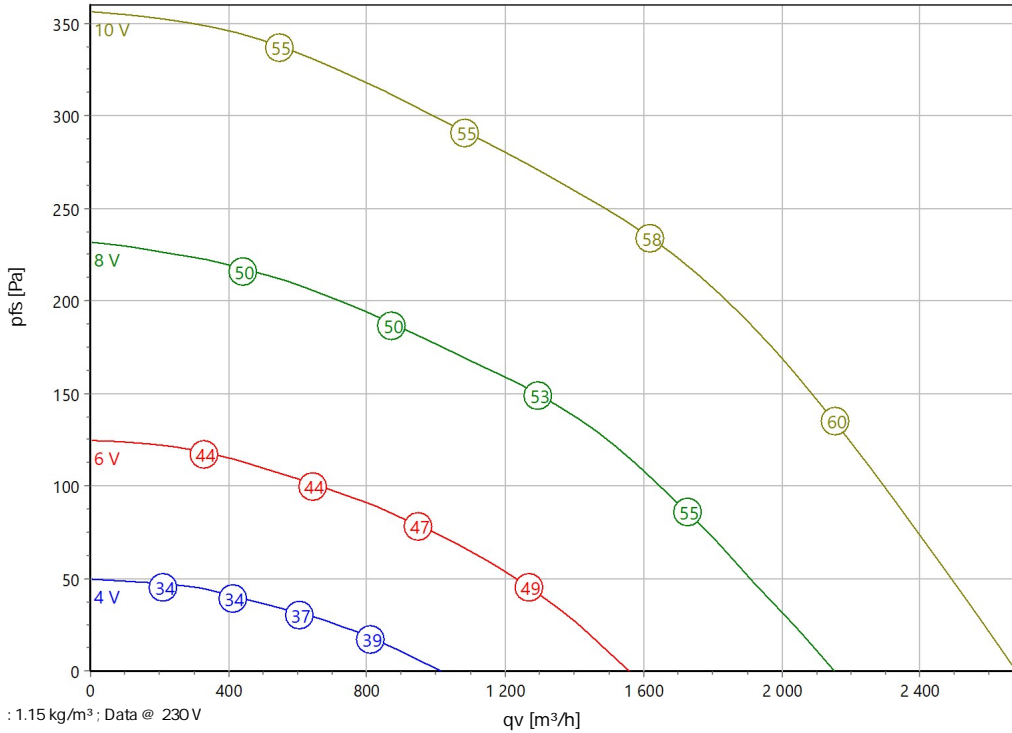




Type: **Z 355 G.4EA R**  
Art.-No.: F05-35514



**Curve:**



**ErP-Data:**

	(EU) Nr. 1253/2014	(Lot6)
qv	1209	m³/h
pfs	294	Pa
η <sub>ed,fs</sub>	39.6	%
P <sub>ed</sub>	0.25	kW
n	1450	r/min
N	48	
v	3.39	m/s
η <sub>ed,fs</sub> Lot11	59.9	%

**Nominal Data:**

U [V]	f [Hz]	Data @ [V]	P <sub>ed</sub> [kW]	I <sub>N</sub> [A]	n <sub>N</sub> [r/min]	t <sub>R</sub> [°C]	k <sub>10</sub> [m²s/h]	Eff.-Rating	IP	m [kg]
1~200-277	50/60	230	0.29	1.3	1450	-25 .. +50	-	IE4	IP 44	37

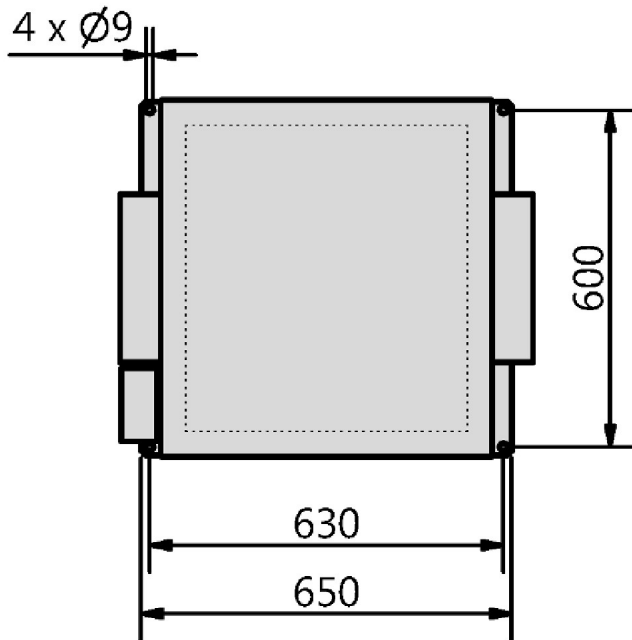
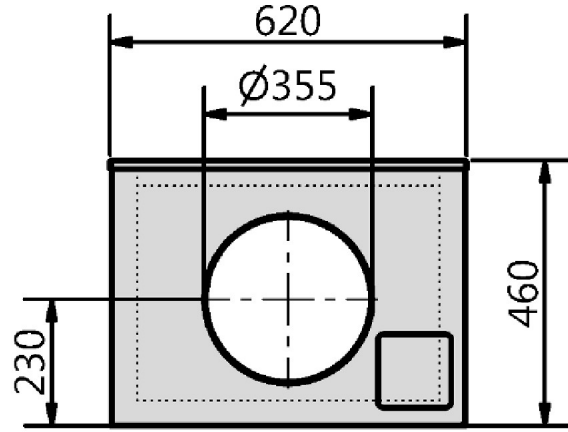
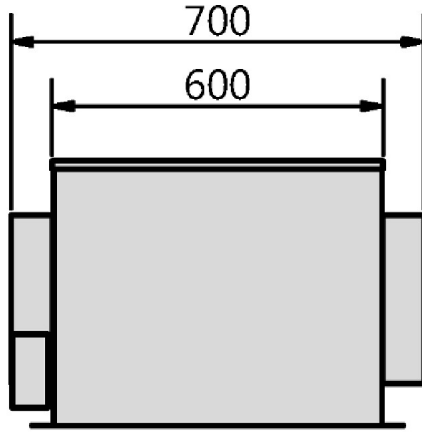
**Sound Data:**

Frequency			125Hz	250Hz	500Hz	1kHz	2kHz	4kHz	8kHz	Distances		
											1 m	3 m
LwA(D,in) [dB(A)]			-3	-6	-11	-11	-13	-17	-22	LpA(D,in) [dB(A)]	-7	-14
LwA(D,out) [dB(A)]	5		-1	-1	-2	-3	-5	-10	-17	LpA(D,out) [dB(A)]	-2	-9
LwA(D,cas) [dB(A)]	-6		-9	-10	-19	-21	-31	-35	-37	LpA(D,cas) [dB(A)]	-13	-20



Type: **Z 355 G.4EA R**

Art.-No.: F05-35514





Type: **Z 355 G.4EA R**  
 Art.-No.: F05-35514

