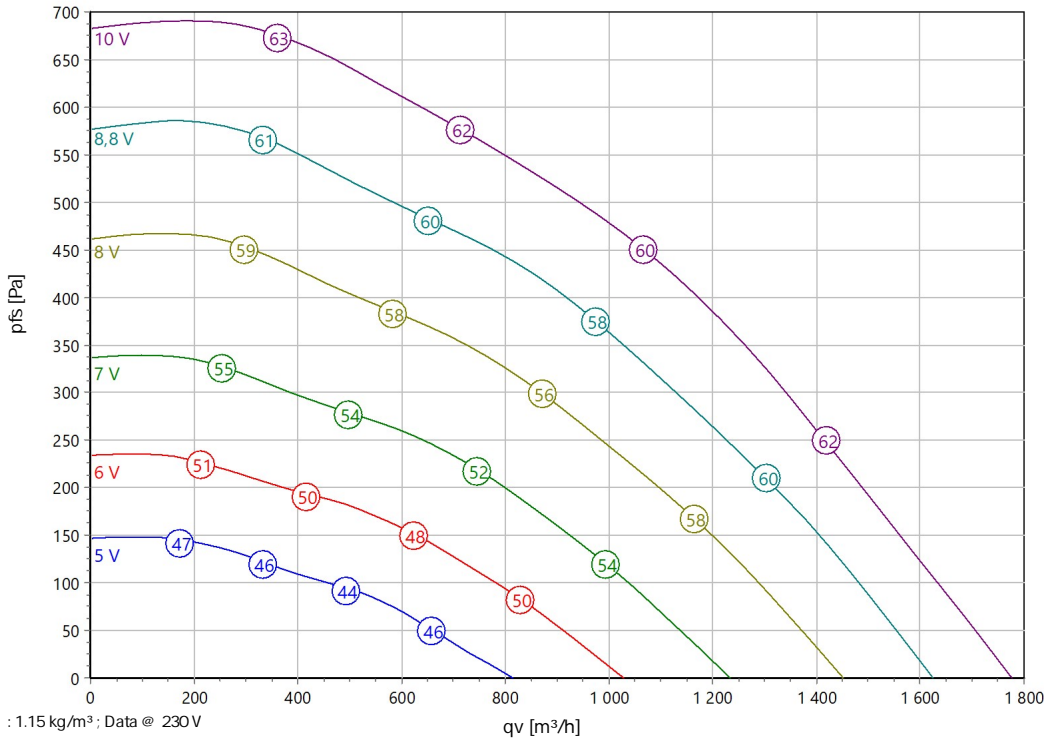




Type: **Z 315 G.4EA E2**
 Art.-No.: F05-31521



Curve:



ErP-Data:

	(EU) Nr. 1253/2014	(Lot6)
q _v	1029	m ³ /h
p _{fs}	467	Pa
η _{ed,fs}	46	%
P _{ed}	0.3	kW
n	2550	r/min
N	54	
v	3.67	m/s
η _{ed,fs} Lot11	61.1	%

Nominal Data:

U [V]	f [Hz]	Data @ [V]	P _{ed} [kW]	I _N [A]	n _N [r/min]	t _R [°C]	k ₁₀ [m ² /h]	Eff.-Rating	IP	m [kg]
1-200-277	50/60	230	0.3	1.33	2550	-25 .. +50	-	IE4	IP 44	35

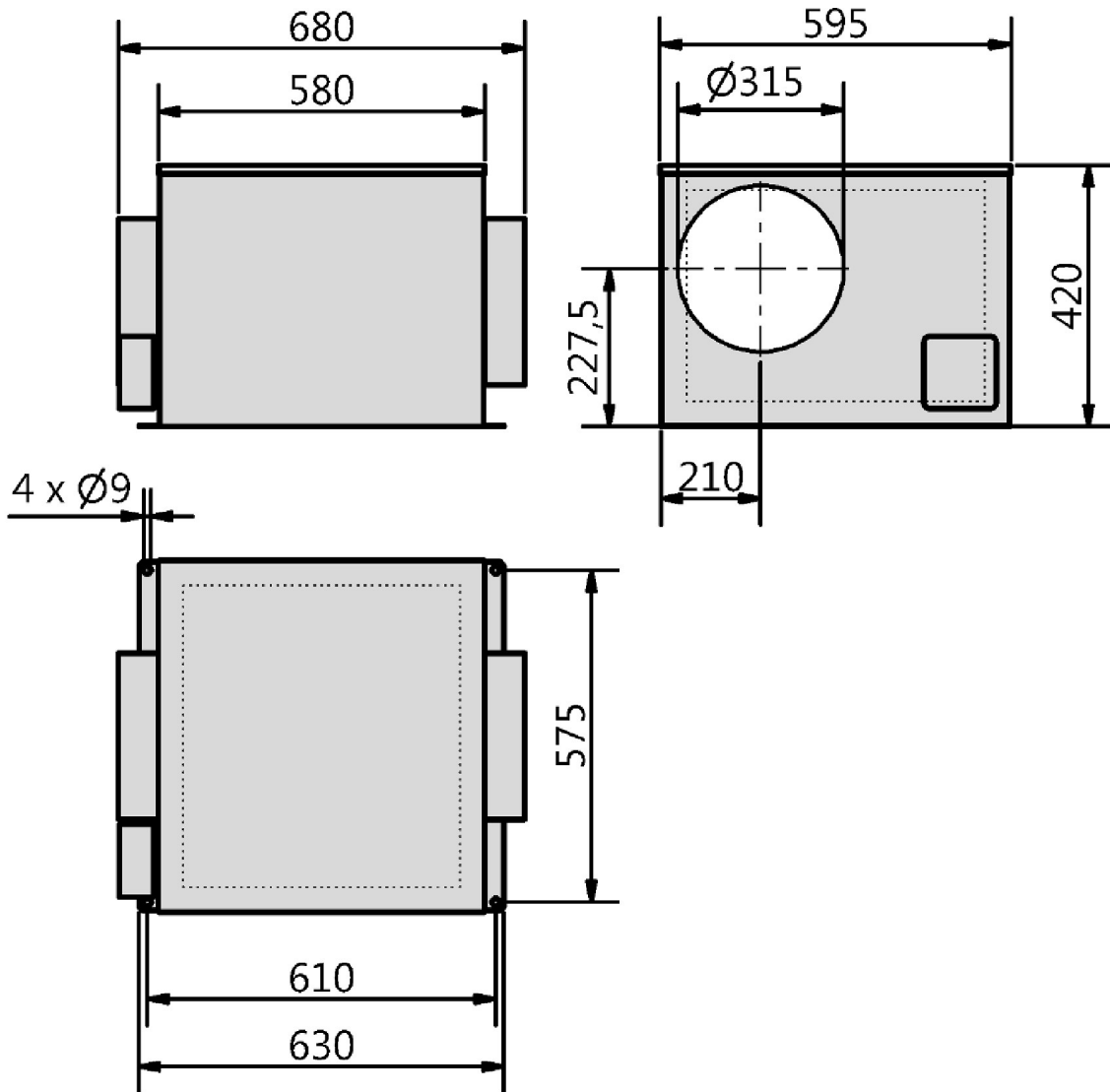
Sound Data:

Frequency		125Hz	250Hz	500Hz	1kHz	2kHz	4kHz	8kHz	Distances		
									1 m	3 m	
L _w A(D,in) [dB(A)]		-9	-8	-6	-5	-11	-16	-24	L _p A(D,in) [dB(A)]	-7	-14
L _w A(D,out) [dB(A)]	20	-4	6	17	14	12	6	-3	L _p A(D,out) [dB(A)]	13	5
L _w A(D,cas) [dB(A)]	-4	-11	-9	-10	-13	-19	-24	-30	L _p A(D,cas) [dB(A)]	-11	-18



Type: **Z 315 G.4EA E2**

Art.-No.: F05-31521





Type: **Z 315 G.4EA E2**

Art.-No.: F05-31521

