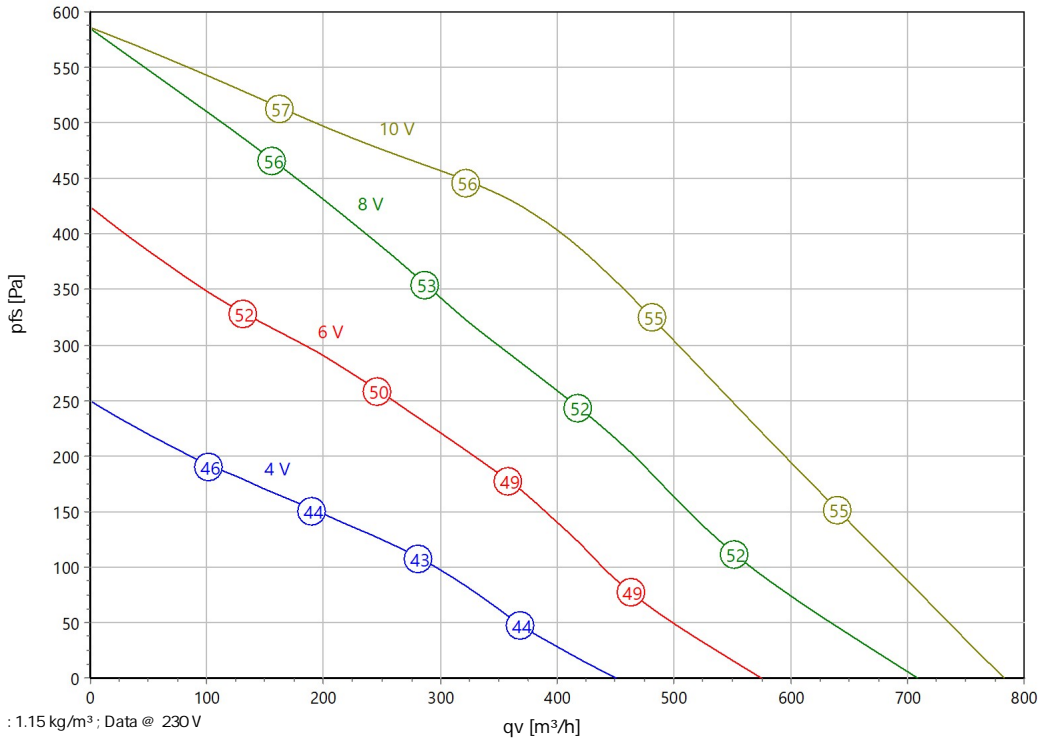




Type: **Z 200 G.3BK E1**
 Art.-No.: F05-20011



Curve:



ErP-Data:

	(EU) Nr. 1253/2014	(Lot6)
q _v	413	m³/h
p _{fs}	408	Pa
η _{ed,fs}	30.4	%
P _{ed}	0.155	kW
n	2578	r/min
N	42	
v	3.70	m/s
η _{ed,fs} Lot11	39.7	%

Nominal Data:

U [V]	f [Hz]	Data @ [V]	P _{ed} [kW]	I _N [A]	n _N [r/min]	t _R [°C]	k ₁₀ [m²s/h]	I _A / I _N	IP	m [kg]
1~200-240	50/60	230	0.16	1.14	2470	-25 .. +50	-	-	IP 44	14.4

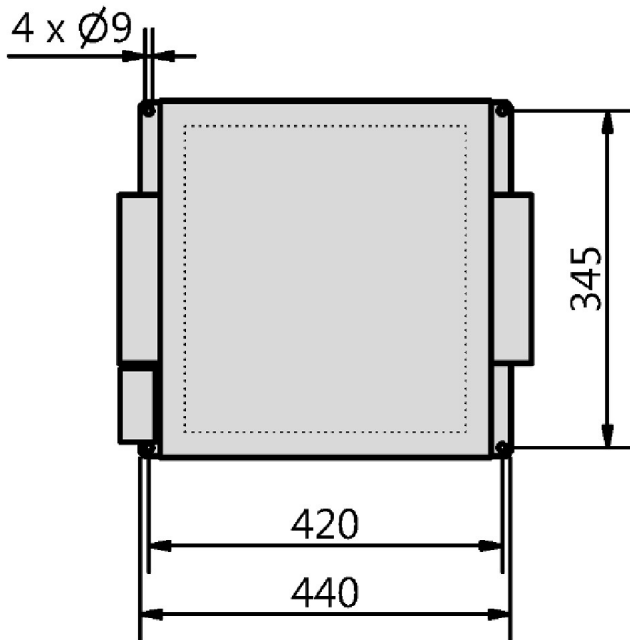
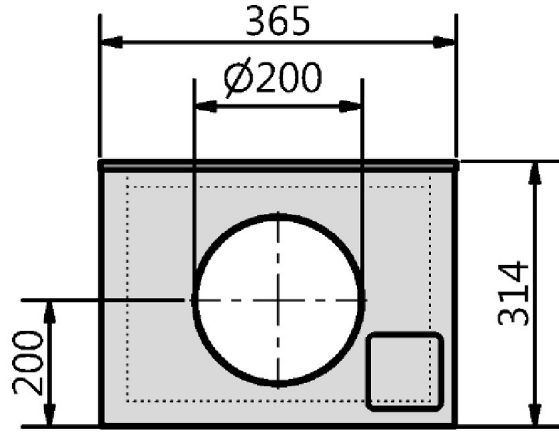
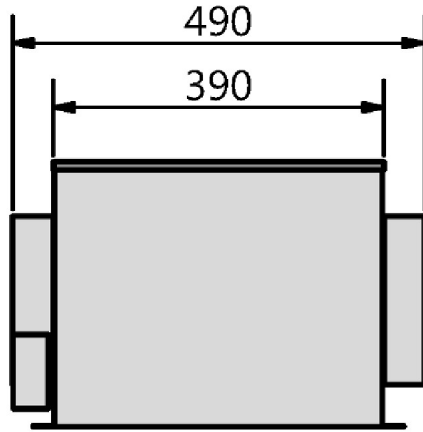
Sound Data:

Frequency		125Hz	250Hz	500Hz	1kHz	2kHz	4kHz	8kHz	Distances	1 m	3 m
L _{wA} (D,in) [dB(A)]		-6	-5	-6	-11	-13	-14	-21	L _{pA} (D,in) [dB(A)]	-7	-14
L _{wA} (D,out) [dB(A)]	17	-1	3	8	9	13	10	5	L _{pA} (D,out) [dB(A)]	10	2
L _{wA} (D,cas) [dB(A)]	-8	-12	-14	-15	-21	-22	-28	-33	L _{pA} (D,cas) [dB(A)]	-15	-22



Type: **Z 200 G.3BK E1**

Art.-No.: F05-20011





Type: **Z 200 G.3BK E1**

Art.-No.: F05-20011

