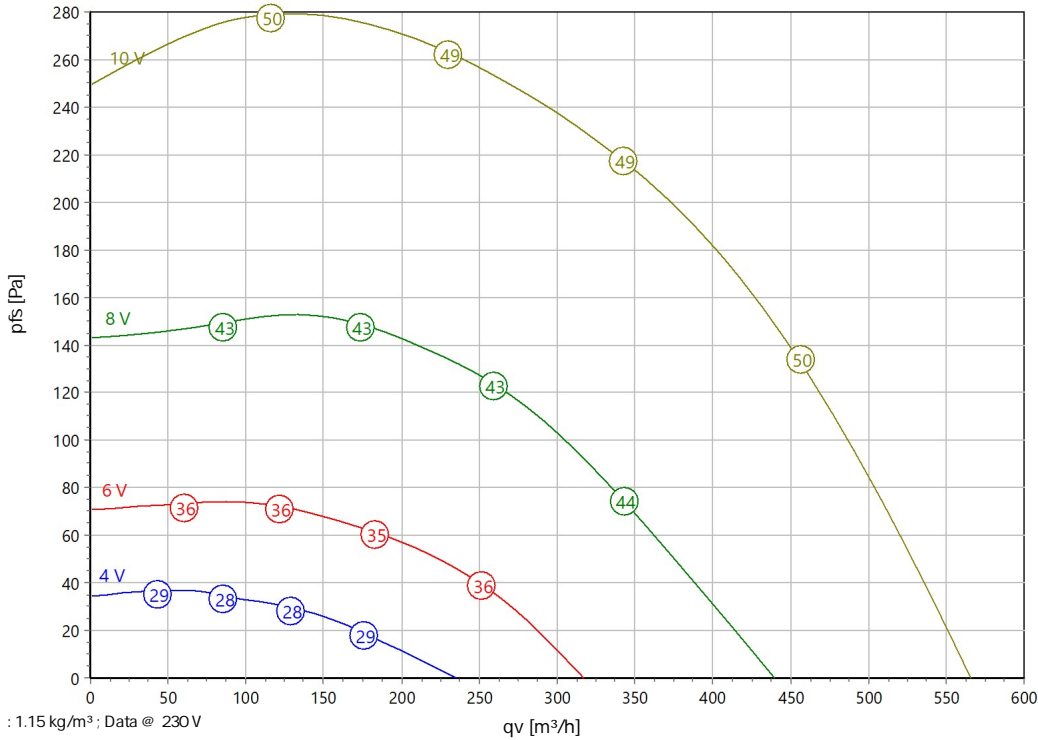




Type: **Z 160G.3BK E1**
Art.-No.: F05-16017



Curve:



ErP-Data:

	(EU) Nr. 1253/2014	(Lot6)
q _v	280	m³/h
p _{fs}	256	Pa
η _{ed,fs}	29.1	%
P _{ed}	0.068	kW
n	2500	r/min
N	46	
v	3.89	m/s

Nominal Data:

U [V]	f [Hz]	Data @ [V]	P _{ed} [kW]	I _N [A]	n _N [r/min]	t _R [°C]	k ₁₀ [m²s/h]	I _A / I _N	IP	m [kg]
1~200-240	50/60	230	0.12	0.81	2400	-25 .. +50	-	-	IP 44	9.4

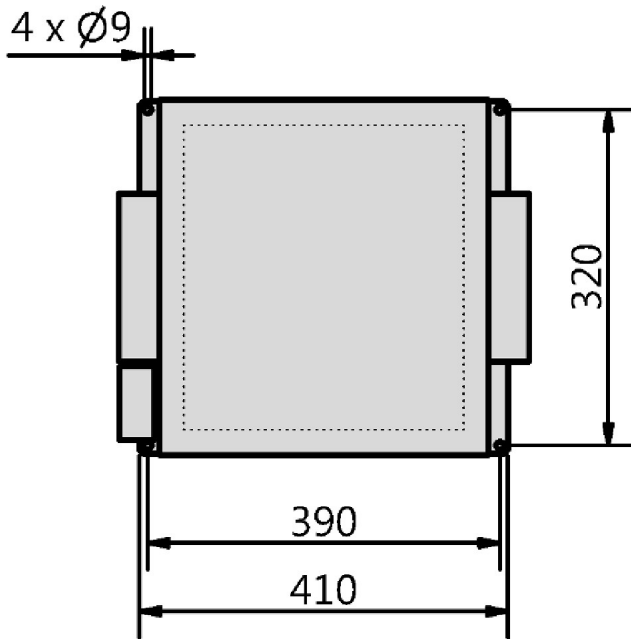
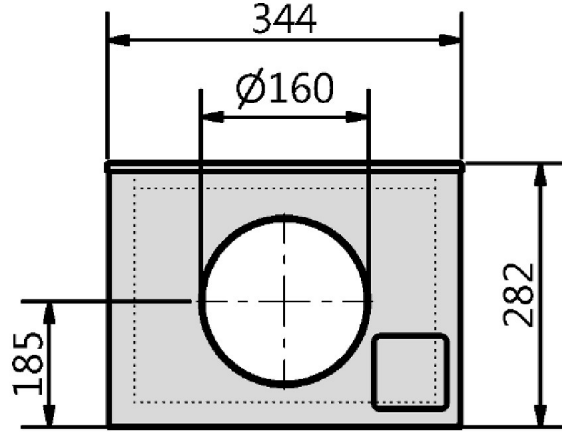
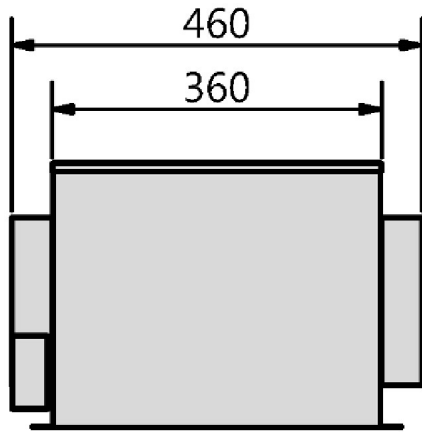
Sound Data:

Frequency			125Hz	250Hz	500Hz	1kHz	2kHz	4kHz	8kHz	Distances	1 m	3 m
L _{wA} (D,in) [dB(A)]			-8	-6	-7	-8	-9	-11	-16	L _{pA} (D,in) [dB(A)]	-7	-14
L _{wA} (D,out) [dB(A)]	21		-2	7	10	16	17	12	6	L _{pA} (D,out) [dB(A)]	14	6
L _{wA} (D,cas) [dB(A)]	-3		-7	-9	-12	-13	-14	-18	-24	L _{pA} (D,cas) [dB(A)]	-10	-17



Type: **Z 160G.3BK E1**

Art.-No.: F05-16017





Type: **Z 160G.3BK E1**

Art.-No.: F05-16017

