

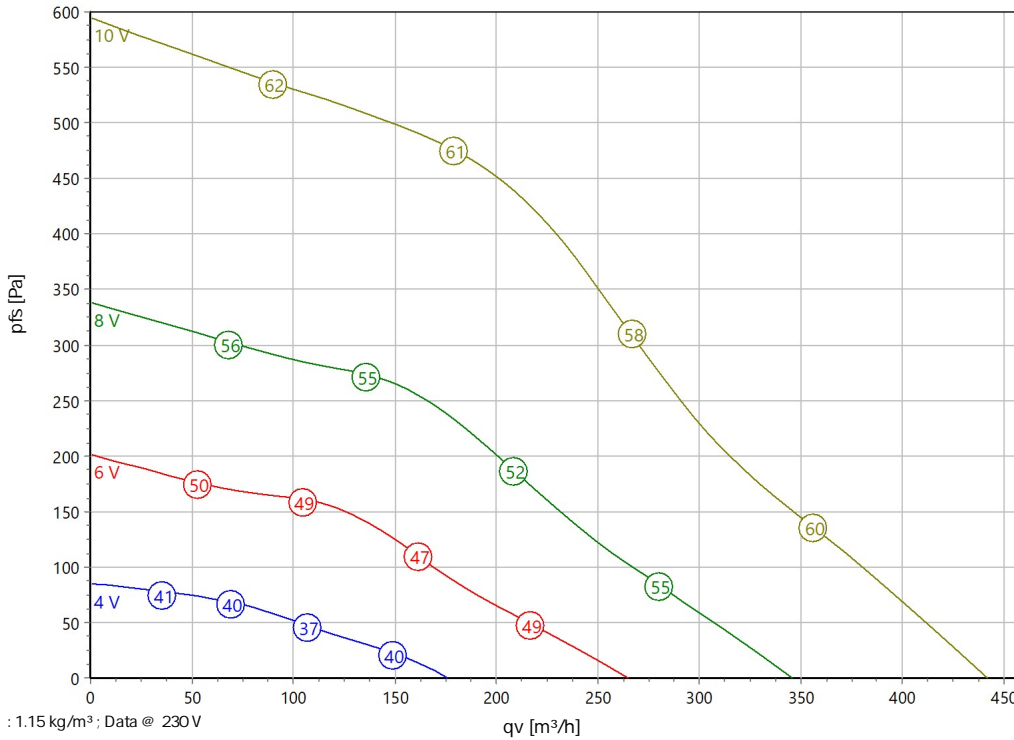


Type: **Z 125 G.3BK R**

Art.-No.: F05-12514



Curve:



ErP-Data:

(EU) Nr. 1253/2014	(Lot6)	
q <sub>v</sub>	249	m³/h
p <sub>fs</sub>	402	Pa
η <sub>ed,fs</sub>	27.3	%
P <sub>ed</sub>	0.1	kW
n	3930	r/min
N	42	
v	5.62	m/s

Nominal Data:

U [V]	f [Hz]	Data @ [V]	P <sub>ed</sub> [kW]	I <sub>N</sub> [A]	n <sub>N</sub> [r/min]	t <sub>R</sub> [°C]	k <sub>10</sub> [m²s/h]	I <sub>A</sub> / I <sub>N</sub>	IP	m [kg]
1~200-240	50/60	230	0.103	0.87	3930	-25 .. +50	-	-	IP 44	13.5

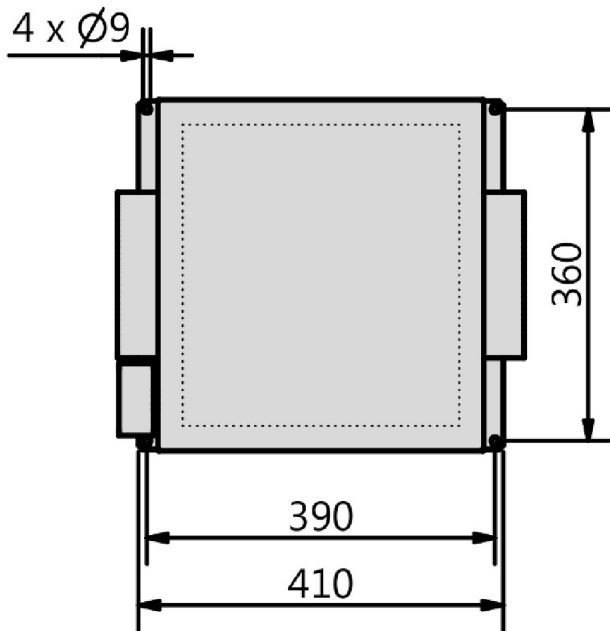
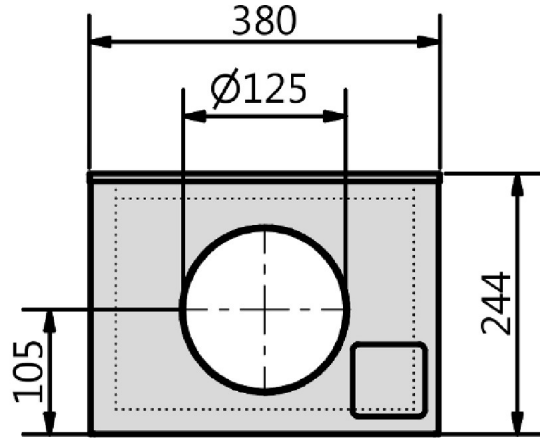
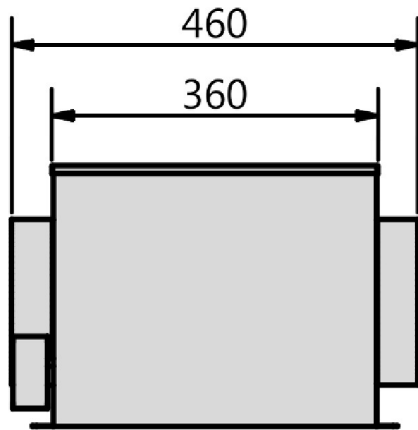
Sound Data:

Frequency			125Hz	250Hz	500Hz	1kHz	2kHz	4kHz	8kHz	Distances	1 m	3 m
L <sub>wA</sub> (D,in) [dB(A)]			-12	-5	-6	-8	-8	-14	-21	L <sub>pA</sub> (D,in) [dB(A)]	-7	-14
L <sub>wA</sub> (D,out) [dB(A)]	5		-8	-3	-2	-1	-1	-6	-15	L <sub>pA</sub> (D,out) [dB(A)]	-2	-9
L <sub>wA</sub> (D,cas) [dB(A)]	-9		-18	-12	-15	-23	-26	-27	-28	L <sub>pA</sub> (D,cas) [dB(A)]	-16	-23



Type: **Z 125 G.3BK R**

Art.-No.: F05-12514





Type: **Z 125 G.3BK R**

Art.-No.: F05-12514

