



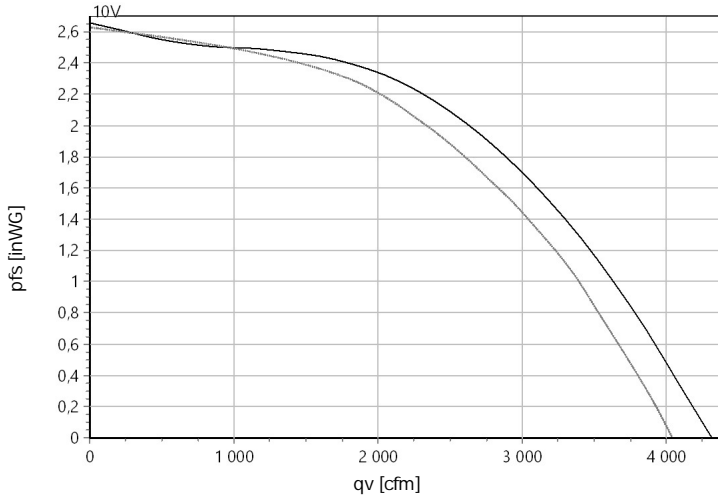
Box Fan

Type: **UNOR 67-450-G.5FA**

Art.-No.: F15-45015



Curve:



Density: 1,15 kg/m³

ErP-Data:

Type:	Lot6	
q _v	2904	cfm
p _{fs}	1,787	inWG
n _{ed,fs}	59,9	%
P _{ed}	1,02	kW
n	1550	1/min
N	60	
v	6,46	ft/s
n _{ed,fs} Lot11	60,5	%

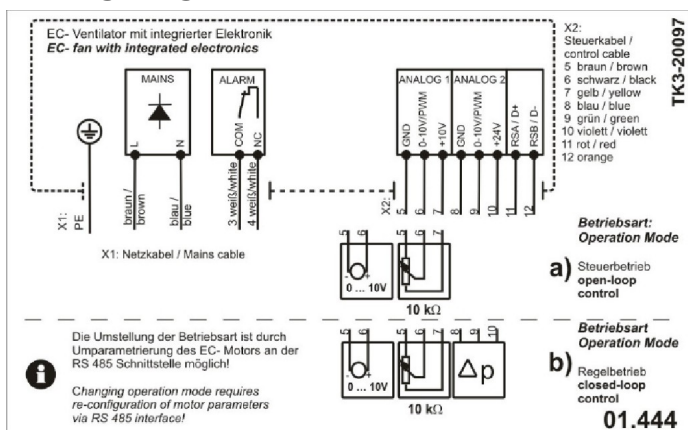
Technical Data:

U [V]	f [Hz]	P _e [kW]	I _N [A]	n _N [1/min]	C [μF]	t _R [°C]	k ₁₀ [m ² s/h]	I _A / I _N	IP	m [kg]
1~200-277	50/60	1,03	4,63	1550	-	40	200	-	IP 54	55

Sound:

			125Hz	250Hz	500Hz	1KHz	2KHz	4KHz	8KHz
L _{wA2} [db(A)]	Housing	-22	-27	-25	-33	-35	-37	-42	-54
L _{wA5} [db(A)]	Inlet	-6	-21	-12	-12	-13	-14	-17	-22
L _{wA6} [db(A)]	Outlet	0	-15	-9	-5	-5	-8	-15	-18

Wiring Diagram:



Drawing:

