



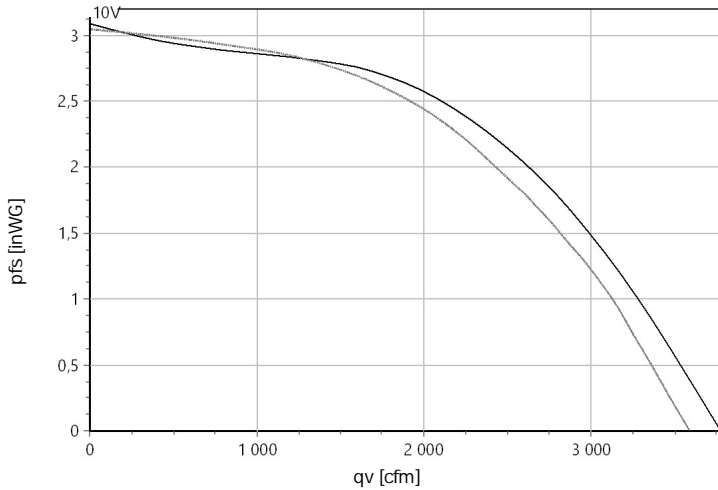
Box Fan

Type: **UNOR 67-400-G.5FA**

Art.-No.: F15-40009



Curve:



Density: 1,15 kg/m³

ErP-Data:

Type:	Lot6	
q _v	2536	cfm
p _{fs}	2,12	inWG
n _{ed,fs}	61,2	%
P _{ed}	1,03	kW
n	1875	1/min
N	61	
v	5,64	ft/s
n _{ed,fs} Lot11	60,5	%

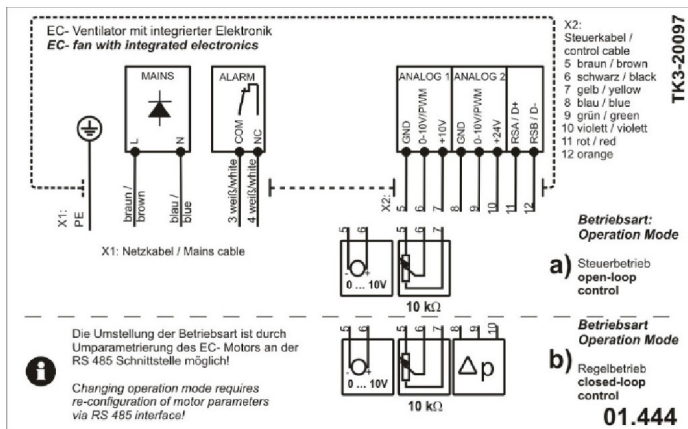
Technical Data:

U [V]	f [Hz]	P _e [kW]	I _N [A]	n _N [1/min]	C [μF]	t _R [°C]	k ₁₀ [m ² s/h]	I _A / I _N	IP	m [kg]
1~200-277	50/60	1,04	4,6	1875	-	40	143	-	IP 54	-

Sound:

			125Hz	250Hz	500Hz	1KHz	2KHz	4KHz	8KHz
L _{wA2} [db(A)]	Housing	-22	-30	-24	-33	-33	-41	-48	-56
L _{wA5} [db(A)]	Inlet	-4	-24	-11	-9	-10	-12	-17	-23
L _{wA6} [db(A)]	Outlet	0	-15	-7	-6	-6	-7	-13	-19

Wiring Diagram:



Drawing:

