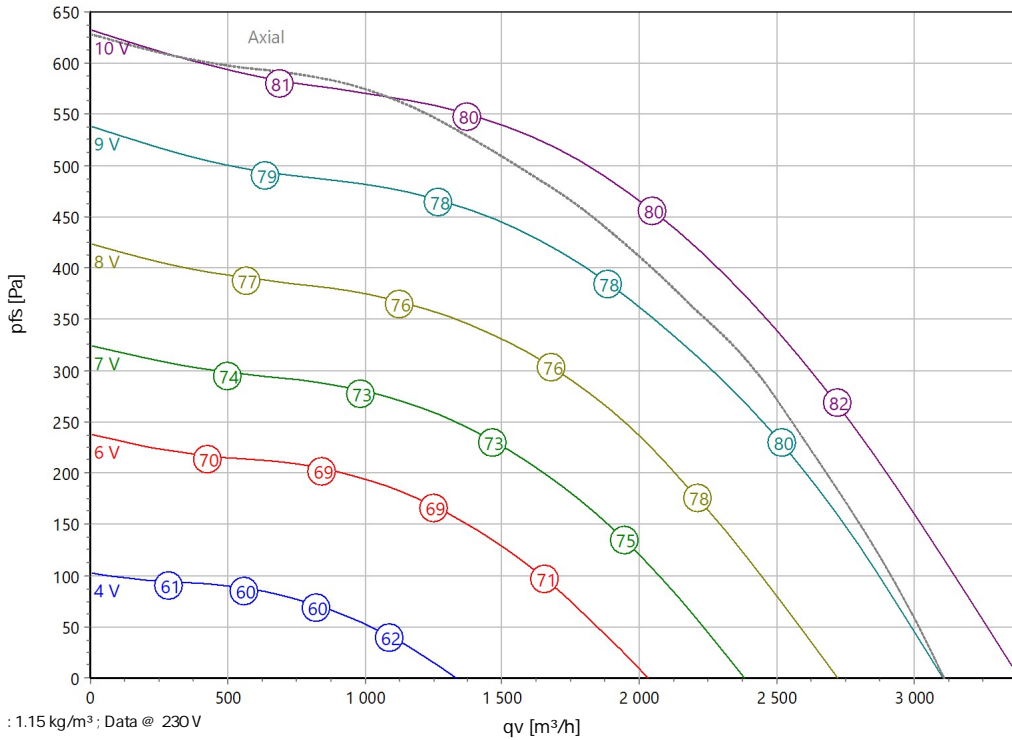




Type: **UNOR 50-315-G.4EA**  
Art.-No.: F15-31504



**Curve:**



**ErP-Data:**

	(EU) Nr. 1253/2014	(Lot6)
qv	2219	m³/h
pfs	417	Pa
$\eta_{ed,fs}$	58.7	%
P <sub>ed</sub>	0.44	kW
n	2200	r/min
N	64	
v	1.52	m/s
$\eta_{ed,fs}$ Lot11	61.3	%

**Nominal Data:**

U [V]	f [Hz]	Data @ [V]	P <sub>ed</sub> [kW]	I <sub>N</sub> [A]	n <sub>N</sub> [r/min]	t <sub>R</sub> [°C]	k <sub>10</sub> [m²s/h]	Eff.-Rating	IP	m [kg]
1~200-277	50/60	230	0.44	1.97	2200	40	90	IE4	IP 54	31

**Sound Data:**

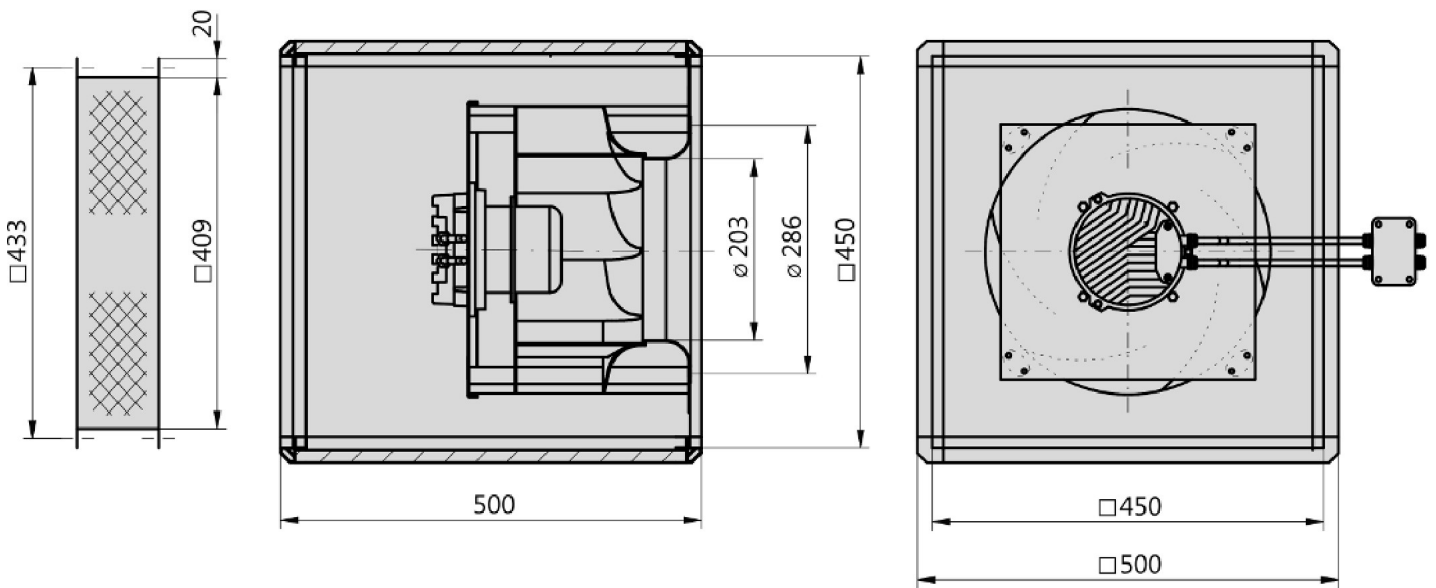
Frequency		63Hz	125Hz	250Hz	500Hz	1kHz	2kHz	4kHz	8kHz	Distances	1 m	4 m
LwA(A,in) [dB(A)]	-7	-42	-28	-15	-11	-14	-15	-19	-25	LpA(A,in) [dB(A)]	-14	-24
LwA(A,out) [dB(A)]		-34	-20	-5	-4	-7	-12	-19	-24	LpA(A,out) [dB(A)]	-7	-17
LwA(D,cas) [dB(A)]	-20	-36	-26	-22	-32	-37	-43	-53	-57	LpA(D,cas) [dB(A)]	-27	-37

performance curve at radial air flow



Type: **UNOR 50-315-G.4EA**

Art.-No.: F15-31504





Type: **UNOR 50-315-G.4EA**  
 Art.-No.: F15-31504

