



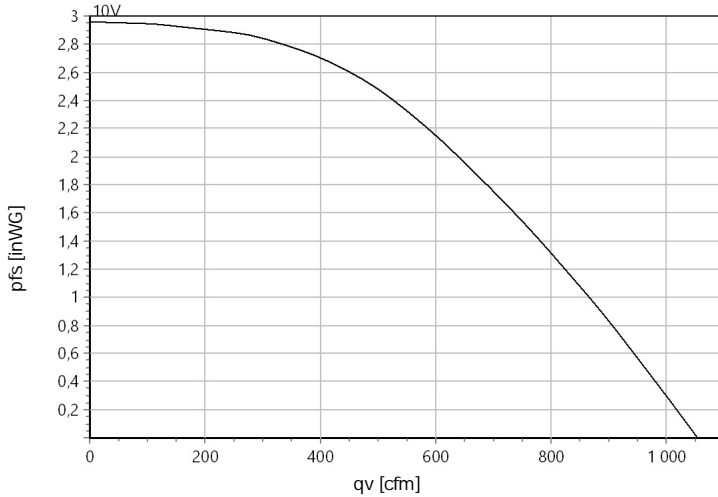
Tube Fan

Type: **R 315L G.3DI**

Art.-No.: F02-31503



**Curve:**



Density: 1,15 kg/m<sup>3</sup>

**ErP-Data:**

Type:	Lot6	
q <sub>v</sub>	605,7	cfm
p <sub>fs</sub>	2,205	inWG
n <sub>ed,fs</sub>	49,7	%
P <sub>ed</sub>	0,32	kW
n	3327	1/min
N	57	
v	12,0	ft/s

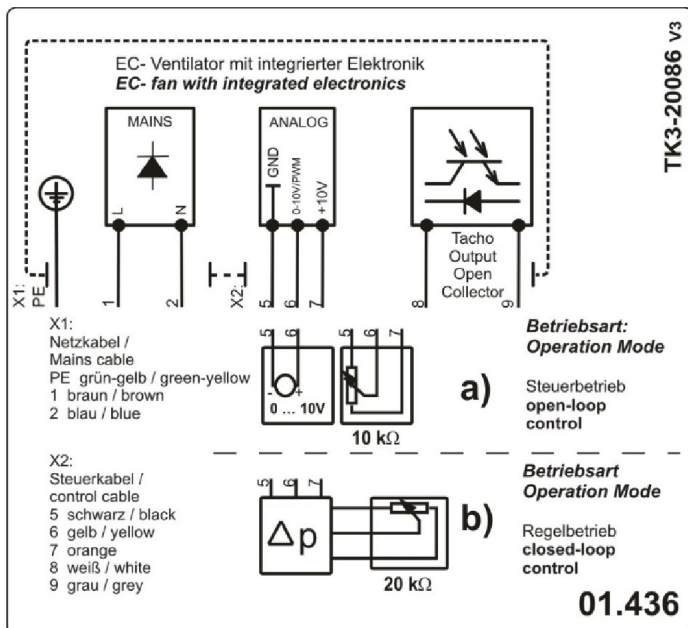
**Technical Data:**

U [V]	f [Hz]	P <sub>e</sub> [kW]	I <sub>N</sub> [A]	n <sub>N</sub> [1/min]	C [µF]	t <sub>r</sub> [°C]	k <sub>10</sub> [m <sup>2</sup> s/h]	I <sub>A</sub> / I <sub>N</sub>	IP	m [kg]
1~230	50/60	0,32	1,42	3330	-	50	-	-	IP 54	6,5

**Sound:**

			125Hz	250Hz	500Hz	1KHz	2KHz	4KHz	8KHz
L <sub>wA2</sub> [db(A)]	Housing	-17	-35	-27	-20	-25	-25	-31	-42
L <sub>wA5</sub> [db(A)]	Inlet	2	-22	-4	-4	-4	-6	-10	-16
L <sub>wA6</sub> [db(A)]	Outlet	0	-19	-10	-9	-5	-5	-10	-16

**Wiring Diagram:**



**Drawing:**

