



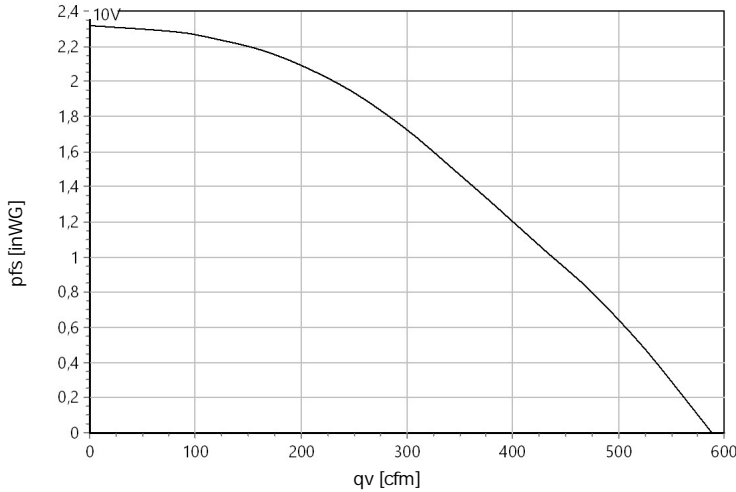
Tube Fan

Type: **R 200 G.3BK**

Art.-No.: F02-20000



**Curve:**



Density: 1,15 kg/m<sup>3</sup>

**ErP-Data:**

Type:	Lot6	
q <sub>v</sub>	319	cfm
p <sub>fs</sub>	1,703	inWG
n <sub>ed,fs</sub>	41	%
P <sub>ed</sub>	0,156	kW
n	3169	1/min
N	53	
v	15,7	ft/s

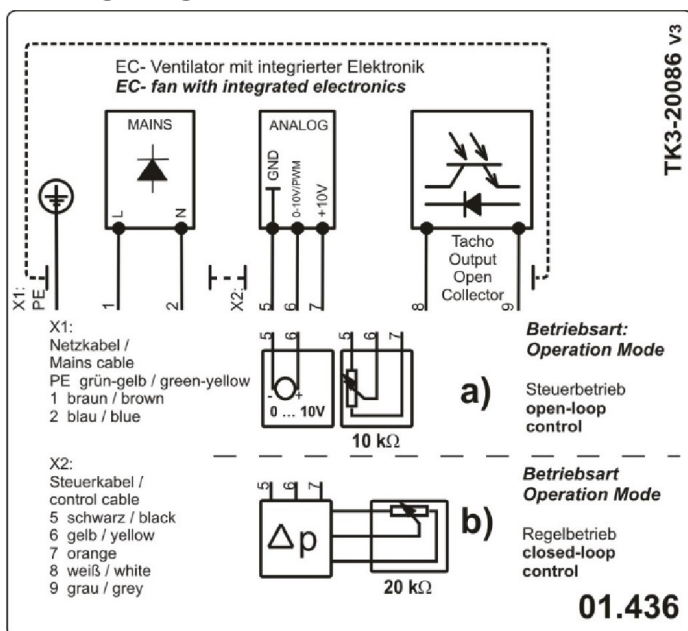
**Technical Data:**

U [V]	f [Hz]	P <sub>e</sub> [kW]	I <sub>N</sub> [A]	n <sub>N</sub> [1/min]	C [µF]	t <sub>r</sub> [°C]	k <sub>10</sub> [m <sup>2</sup> /h]	I <sub>A</sub> / I <sub>N</sub>	IP	m [kg]
1~230	50/60	0,16	1,1	3200	-	50	-	-	IP 44	3,9

**Sound:**

			125Hz	250Hz	500Hz	1KHz	2KHz	4KHz	8KHz
LwA2 [db(A)]	Housing	-17	-32	-27	-25	-24	-22	-25	-38
LwA5 [db(A)]	Inlet	2	-15	-6	-5	-5	-3	-9	-19
LwA6 [db(A)]	Outlet	0	-18	-10	-9	-7	-4	-9	-17

**Wiring Diagram:**



**Drawing:**

