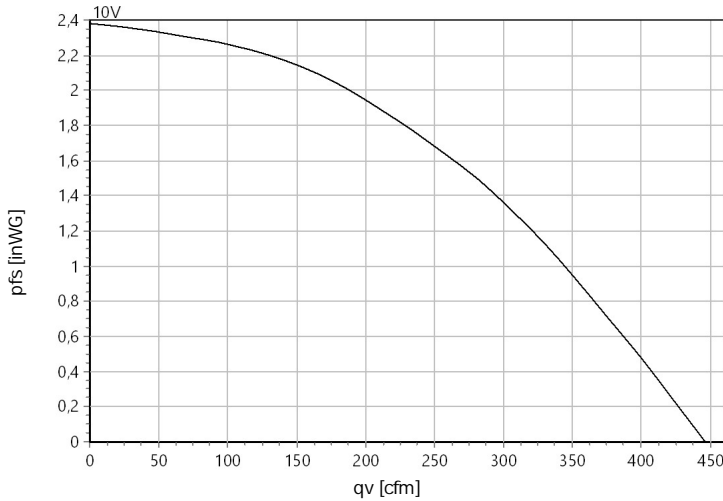




Tube Fan
 Type: **R 160G.3BK**
 Art.-No.: F02-16000



Curve:



Density: 1,15 kg/m³

ErP-Data:

Type:	Lot6	
q _v	244,9	cfm
p _{fs}	1,791	inWG
n _{ed,fs}	41	%
P _{ed}	0,126	kW
n	3729	1/min
N	54	
v	18,9	ft/s

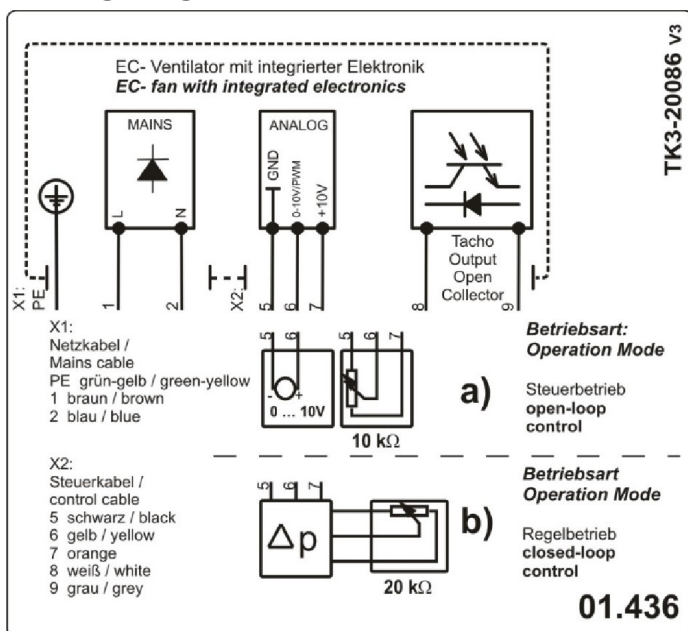
Technical Data:

U [V]	f [Hz]	P _e [kW]	I _N [A]	n _N [1/min]	C [µF]	t _R [°C]	k ₁₀ [m ² s/h]	I _A / I _N	IP	m [kg]
1~230	50/60	0,13	1	3730	-	50	-	-	IP 44	3,7

Sound:

			125Hz	250Hz	500Hz	1KHz	2KHz	4KHz	8KHz
L _{wA2} [db(A)]	Housing	-15	-37	-31	-21	-19	-22	-26	-30
L _{wA5} [db(A)]	Inlet	1	-23	-8	-5	-4	-6	-10	-16
L _{wA6} [db(A)]	Outlet	0	-22	-1	-8	-6	-5	-8	-16

Wiring Diagram:



Drawing:

