

BG – Protection guard

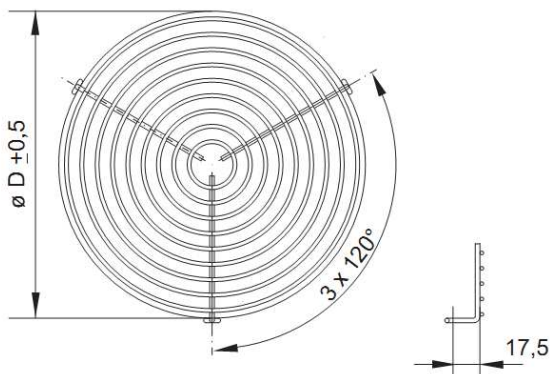
Accessories for Tube Fans / Zerobox (R/RS/Z)

Protection guard for suction side cover made of steel for tube fans and Zeroboxes. Suited for Ex-applications.



Technical Data:

Dimensions:



Size	Type	Art.-No.	Ø D [mm]	Weight [kg]
100	BG 100	P50-10000	100	0,05
125	BG 125	P50-12500	125	0,10
150	BG 150	P50-15000	150	0,10
160	BG 160	P50-16000	160	0,10
200	BG 200	P50-20000	200	0,20
250	BG 250	P50-25000	250	0,20
315	BG 315	P50-31500	315	0,46
355	BG 355	P50-35500	355	0,55
400	BG 400	P50-40000	400	0,70

Scope of delivery:

- Protection guard (BG)