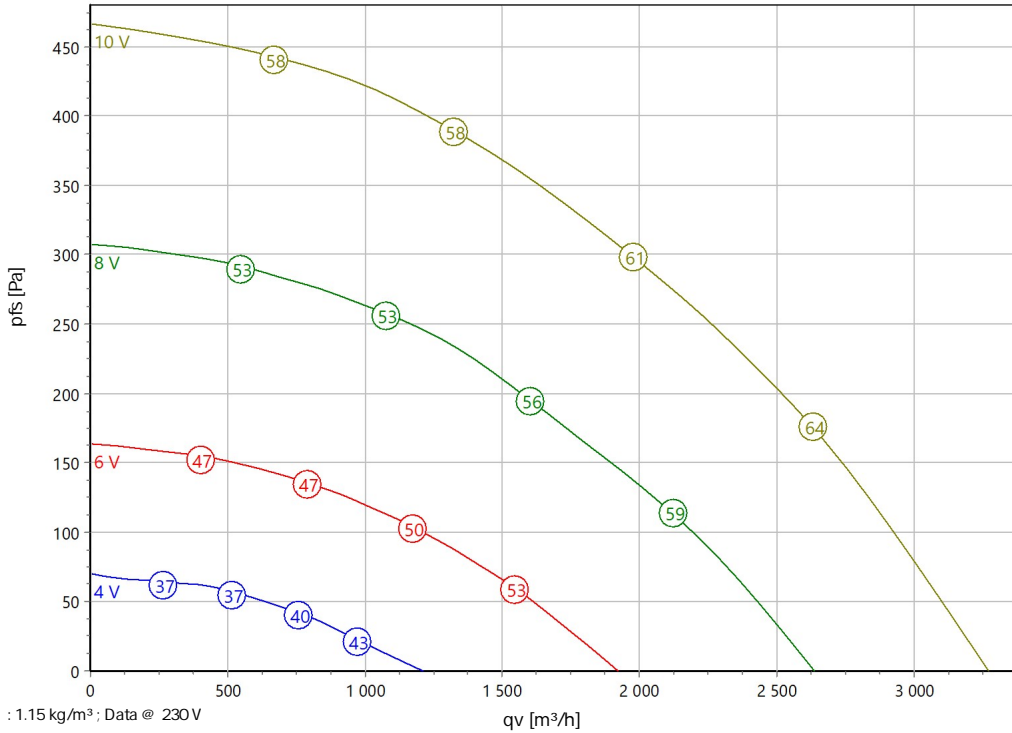




Type: **Z 400G.4EA R**  
Art.-No.: F05-40014



**Curve:**



**ErP-Data:**

	(EU) Nr. 1253/2014	(Lot6)
qv	1697	m³/h
pfs	355	Pa
η <sub>ed,fs</sub>	42.2	%
P <sub>ed</sub>	0.4	kW
n	1650	r/min
N	48	
v	3.74	m/s
η <sub>ed,fs</sub> Lot11	58	%

**Nominal Data:**

U [V]	f [Hz]	Data @ [V]	P <sub>ed</sub> [kW]	I <sub>N</sub> [A]	n <sub>N</sub> [r/min]	t <sub>R</sub> [°C]	k <sub>10</sub> [m²s/h]	Eff.-Rating	IP	m [kg]
1~200-277	50/60	230	0.42	1.86	1650	-25 .. +45	-	IE4	IP 44	37

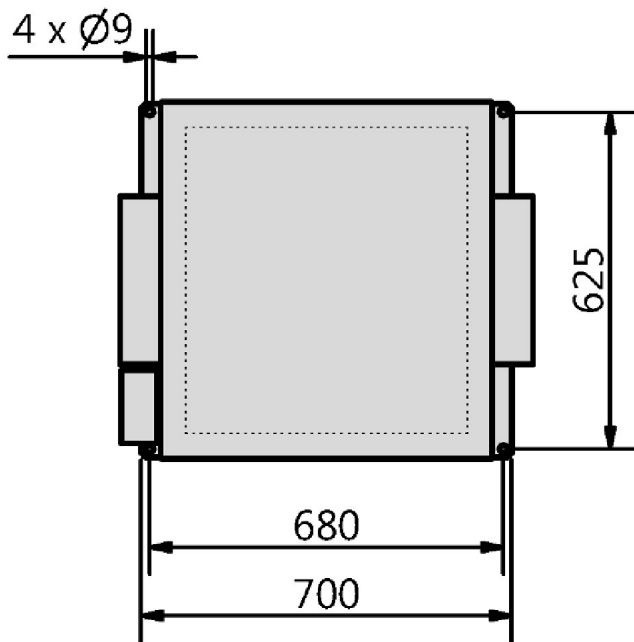
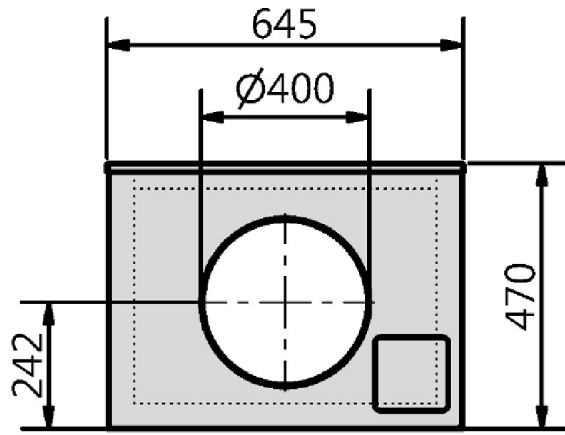
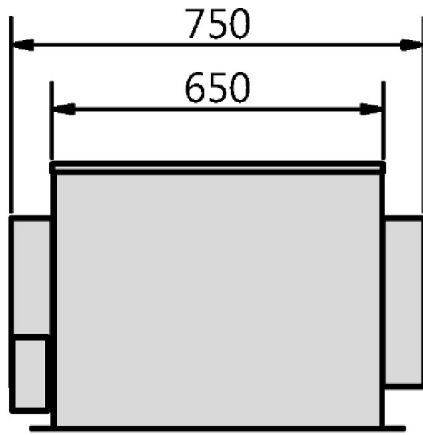
**Sound Data:**

Frequency		63Hz	125Hz	250Hz	500Hz	1kHz	2kHz	4kHz	8kHz	Distances	1 m	3 m
LwA(D,in) [dB(A)]		-21	-3	-6	-11	-11	-13	-17	-22	LpA(D,in) [dB(A)]	-7	-14
LwA(D,out) [dB(A)]	5	-23	-1	-1	-2	-3	-5	-10	-17	LpA(D,out) [dB(A)]	-2	-9
LwA(D,cas) [dB(A)]	-9	-29	-12	-13	-22	-24	-34	-38	-40	LpA(D,cas) [dB(A)]	-16	-23



Type: **Z 400 G.4EA R**

Art.-No.: F05-40014





Type: **Z 400G.4EA R**

Art.-No.: F05-40014

