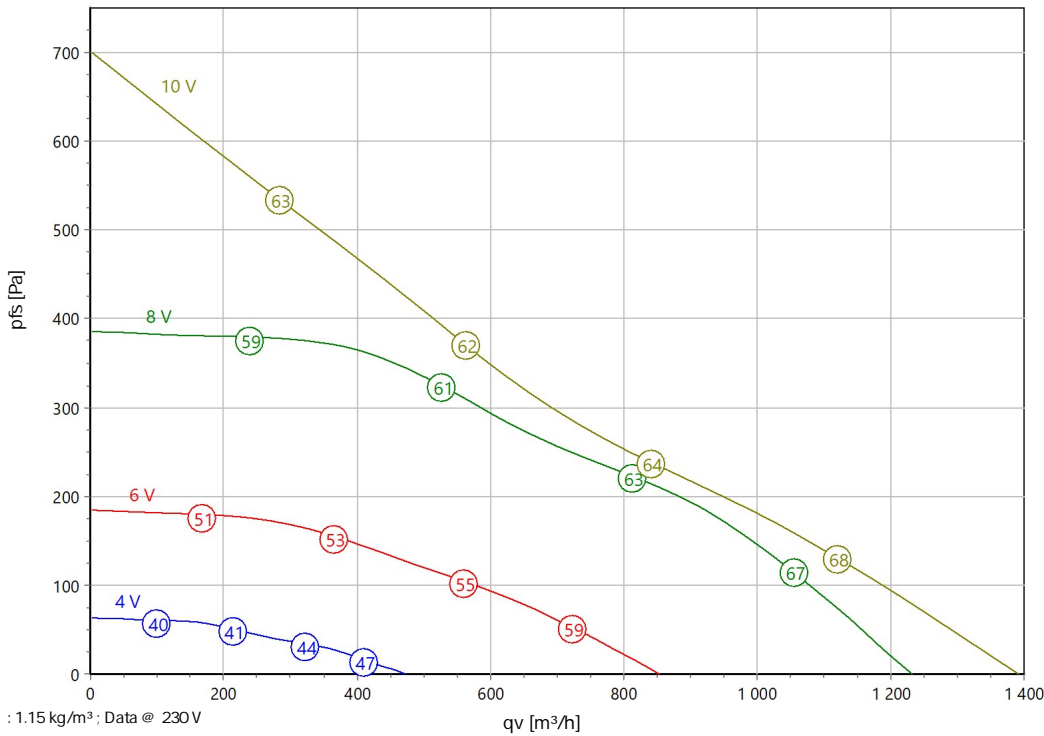




Type: **Z 250 G.3BK R**  
 Art.-No.: F05-25014



**Curve:**



**ErP-Data:**

	(EU) Nr. 1253/2014	(Lot6)
q <sub>v</sub>	606	m <sup>3</sup> /h
p <sub>fs</sub>	365	Pa
η <sub>ed,fs</sub>	39.5	%
P <sub>ed</sub>	0.136	kW
n	2580	r/min
N	51	
v	3.43	m/s
η <sub>ed,fs</sub> Lot11	60	%

**Nominal Data:**

U [V]	f [Hz]	Data @ [V]	P <sub>ed</sub> [kW]	I <sub>N</sub> [A]	n <sub>N</sub> [r/min]	t <sub>R</sub> [°C]	k <sub>10</sub> [m <sup>2</sup> s/h]	I <sub>A</sub> / I <sub>N</sub>	IP	m [kg]
1~200-240	50/60	230	0.157	1.23	2580	-25 .. +50	-	-	IP 44	18.4

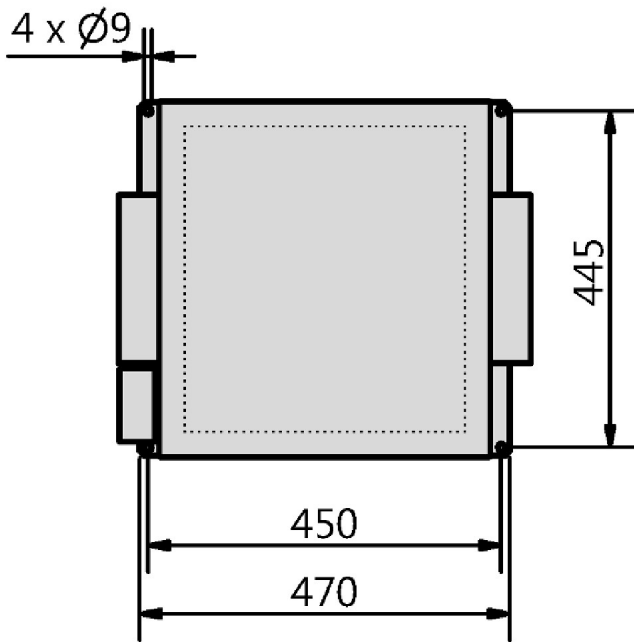
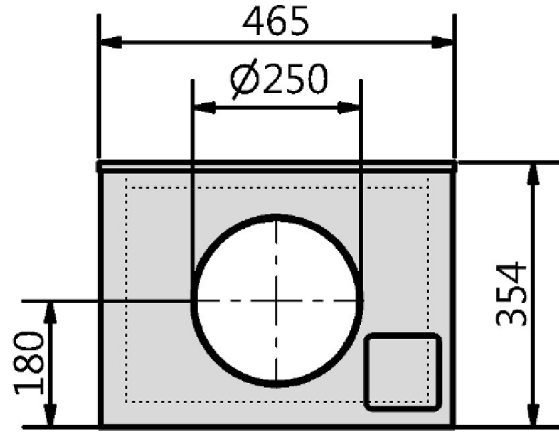
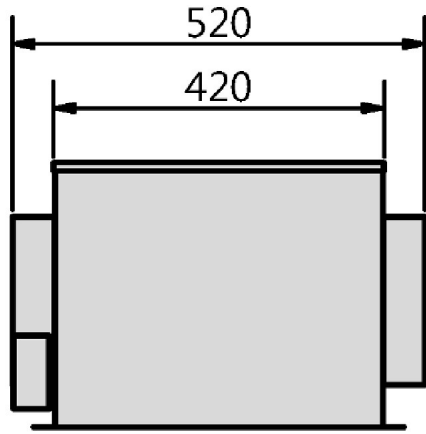
**Sound Data:**

Frequency		125Hz	250Hz	500Hz	1kHz	2kHz	4kHz	8kHz	Distances	1 m	3 m
L <sub>wA</sub> (D,in) [dB(A)]		-15	-5	-7	-7	-9	-10	-16	L <sub>pA</sub> (D,in) [dB(A)]	-7	-14
L <sub>wA</sub> (D,out) [dB(A)]	8	-15	4	1	0	0	-3	-14	L <sub>pA</sub> (D,out) [dB(A)]	1	-6
L <sub>wA</sub> (D,cas) [dB(A)]	-14	-23	-16	-23	-28	-27	-31	-36	L <sub>pA</sub> (D,cas) [dB(A)]	-21	-28



Type: **Z 250 G.3BK R**

Art.-No.: F05-25014





Type: **Z 250 G.3BK R**

Art.-No.: F05-25014

