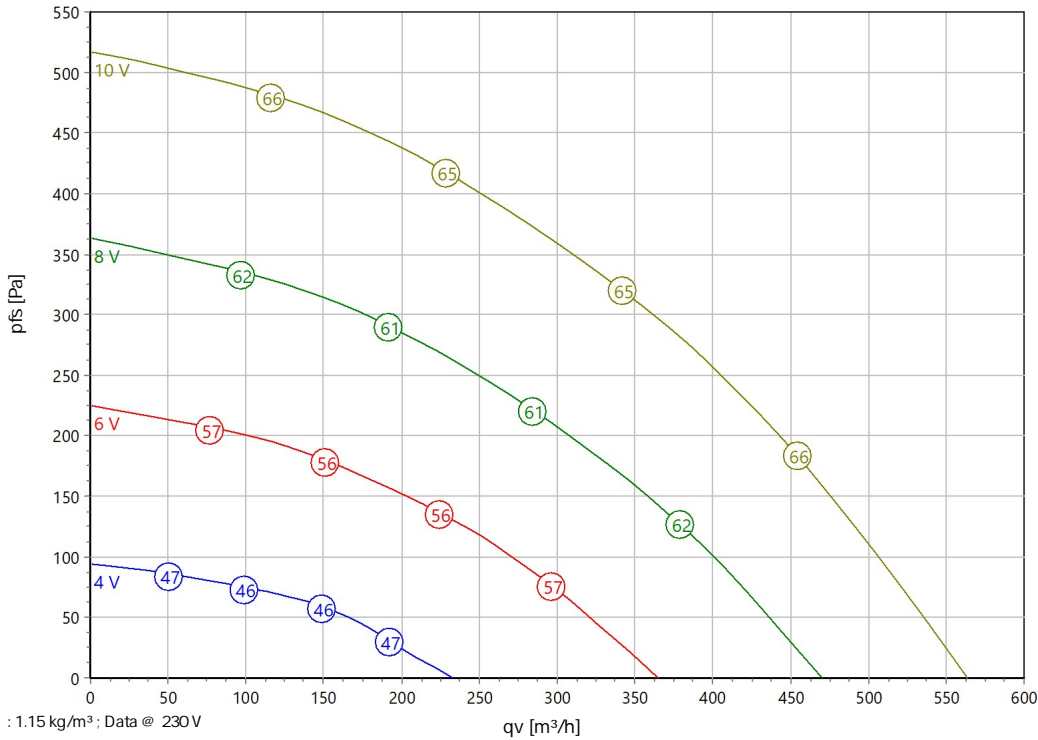




Type: **Z 160G.3BK R**  
Art.-No.: F05-16014



Curve:



ErP-Data:

|                    | (EU) Nr. 1253/2014 | (Lot6) |
|--------------------|--------------------|--------|
| qv                 | 294                | m³/h   |
| pfs                | 381                | Pa     |
| η <sub>ed,fs</sub> | 29.8               | %      |
| P <sub>ed</sub>    | 0.11               | kW     |
| n                  | 3370               | r/min  |
| N                  | 43                 |        |
| v                  | 4.06               | m/s    |

Nominal Data:

| U [V]     | f [Hz] | Data @ [V] | P <sub>ed</sub> [kW] | I <sub>N</sub> [A] | n <sub>N</sub> [r/min] | t <sub>R</sub> [°C] | k <sub>10</sub> [m²s/h] | I <sub>A</sub> / I <sub>N</sub> | IP    | m [kg] |
|-----------|--------|------------|----------------------|--------------------|------------------------|---------------------|-------------------------|---------------------------------|-------|--------|
| 1~200-240 | 50/60  | 230        | 0.11                 | 0.9                | 3370                   | -25 .. +50          | -                       | -                               | IP 44 | 14     |

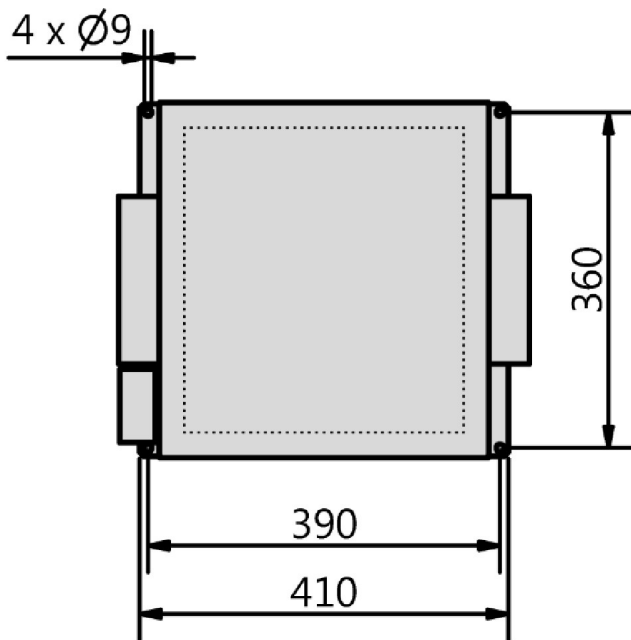
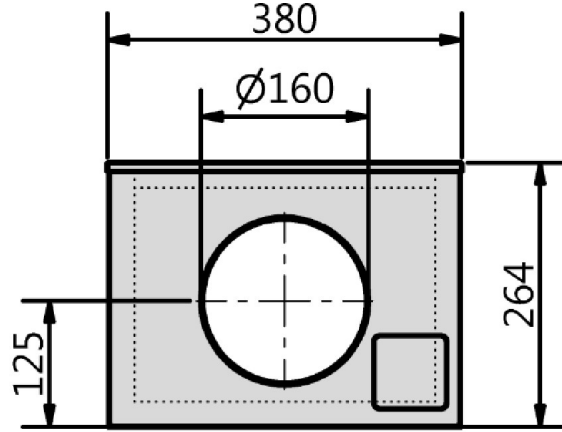
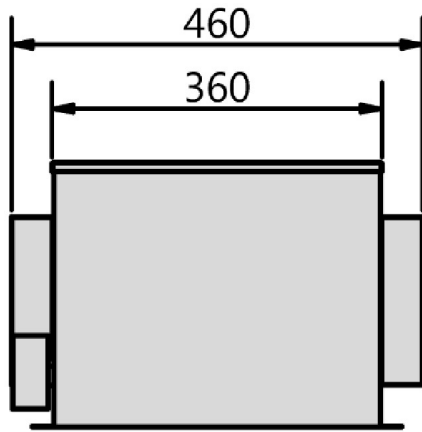
Sound Data:

| Frequency          |     |  | 125Hz | 250Hz | 500Hz | 1kHz | 2kHz | 4kHz | 8kHz | Distances          | 1 m | 3 m |
|--------------------|-----|--|-------|-------|-------|------|------|------|------|--------------------|-----|-----|
| LwA(D,in) [dB(A)]  |     |  | -12   | -4    | -9    | -9   | -9   | -9   | -14  | LpA(D,in) [dB(A)]  | -7  | -14 |
| LwA(D,out) [dB(A)] | 6   |  | -13   | 2     | -1    | -2   | -2   | -6   | -14  | LpA(D,out) [dB(A)] | -1  | -8  |
| LwA(D,cas) [dB(A)] | -11 |  | -19   | -13   | -19   | -26  | -31  | -38  | -41  | LpA(D,cas) [dB(A)] | -18 | -25 |



Type: **Z 160G.3BK R**

Art.-No.: F05-16014





Type: **Z 160G.3BK R**

Art.-No.: F05-16014

