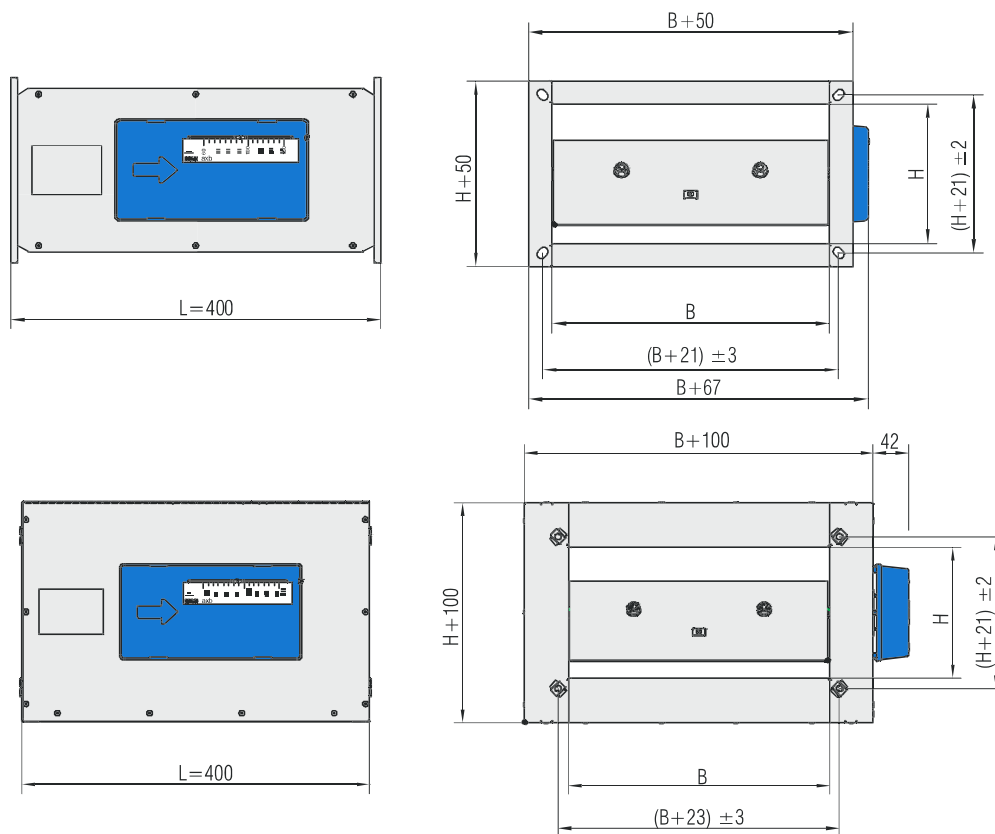


**RKP-P**

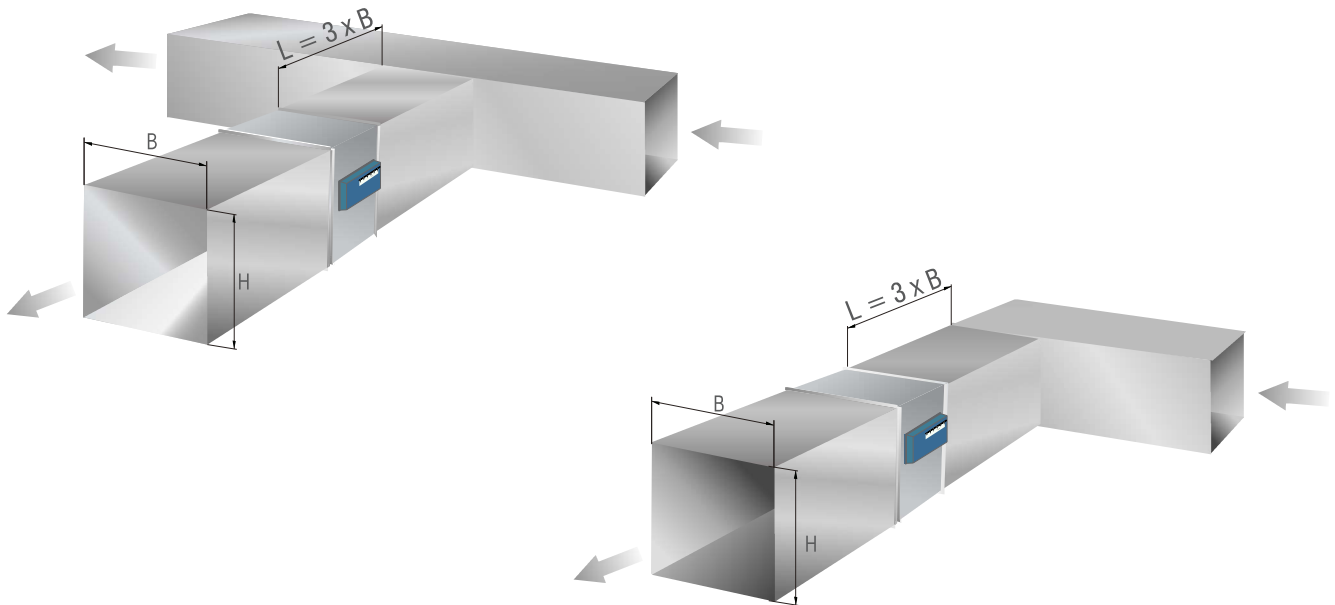

- For maintaining constant air volume in ventilation systems, without additional power supply
- Made of galvanized steel sheet, damper blade made of anodized aluminium sheet
- Recommended airflow velocity from 3 to 8 m/s, at pressure difference  $\Delta p > 50$  Pa
- Adjusting required constant amount is done by turning of working screw on the right side of the cover

Working temperature : -20...80°C  
 Relative humidity: 5...80% rh  
 Constant flow:  $\pm 5\%$  set value



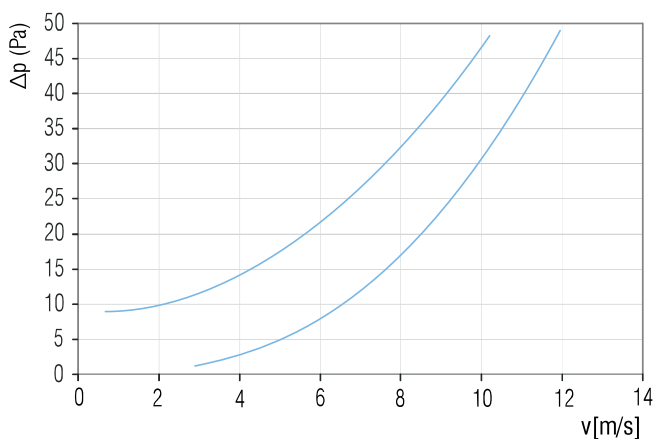
Size B×H (mm)		200×100	200×200	300×100	300×150	300×200	400×200	400×250	400×300	400×400	500×200	500×250	500×300	500×400	500×500	600×200	600×250	600×300	600×400	600×500	600×600
$V_{min}$	(m³/h)	330	510	470	700	800	1100	1750	1700	2000	1500	2300	2400	2300	3800	1650	2550	2700	2900	3000	5500
$V_{max}$	(m³/h)	620	1020	850	1350	1600	2400	3400	3600	5400	3200	4400	4300	6000	6300	3600	5100	5000	5000	9000	10000
mass RKP-P	m(kg)	2,92	3,68	3,70	4,08	4,53	5,37	6,08	6,52	9,03	6,18	6,65	7,00	10,12	12,95	7,01	7,39	10,22	11,41	14,59	15,79
mass RKP-P-Z	m(kg)	5,27	6,56	6,57	7,21	7,94	9,32	10,13	10,75	13,65	10,68	10,78	11,68	15,13	18,60	12,24	12,30	15,32	17,00	20,72	22,62

INSTALLATION RKP-P

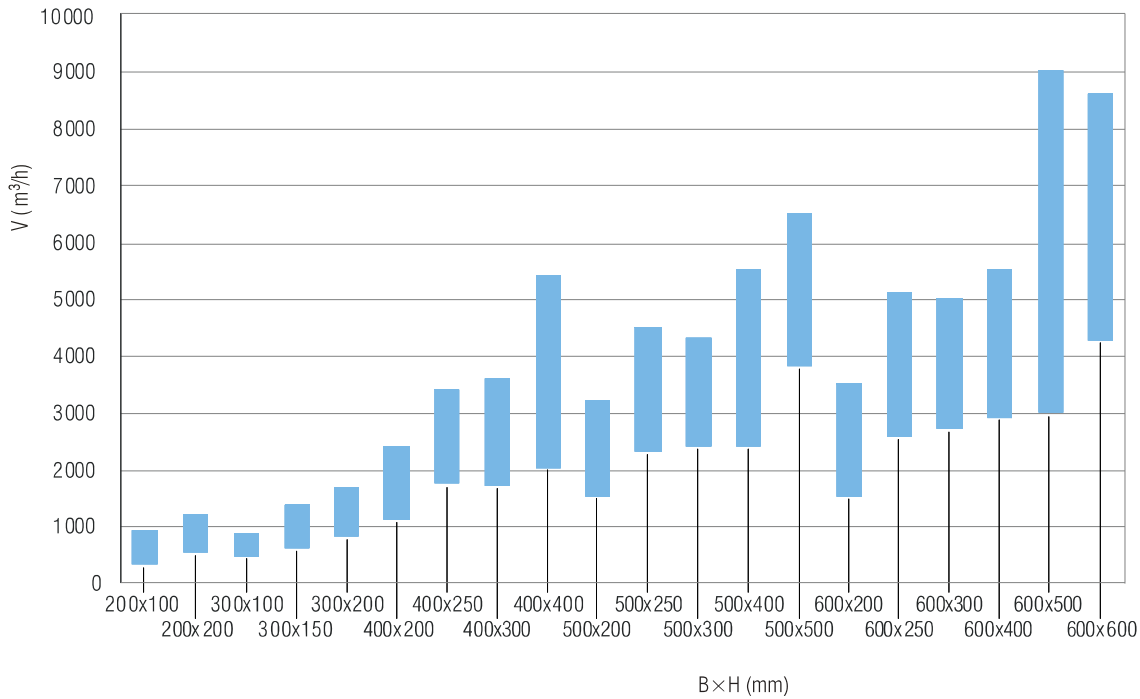


- Required length of straight section before regulator is  $L > B$ . If  $L < B$ , a 10% error in regulation occurs so that kind of installation is not advisable.
- Pay attention to airflow direction marking on the regulator. If not correctly installed, regulator will not work.
- Maintenance is not required.

Pressure drop



**FAST SELECTION DIAGRAM**



Ordering key:

Constant flow regulator	<b>RKP - P - B x H - R - V - Z</b>
Rectangular type	
Dimension	
R - manual drive	
Volume flow V [m³/h]	
Insulation	