



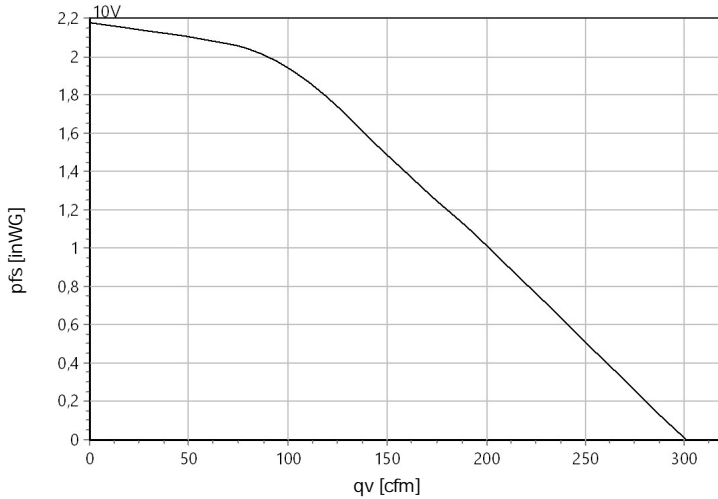
Tube Fan

Type: **R 125 G.3BK**

Art.-No.: F02-12501



Curve:



Density: 1,15 kg/m³

ErP-Data:

Type:	Lot6	
q _v	120,1	cfm
p _{fs}	1,888	inWG
n _{ed,fs}	32,4	%
P _{ed}	0,08	kW
n	3919	1/min
N	48	
v	15,1	ft/s

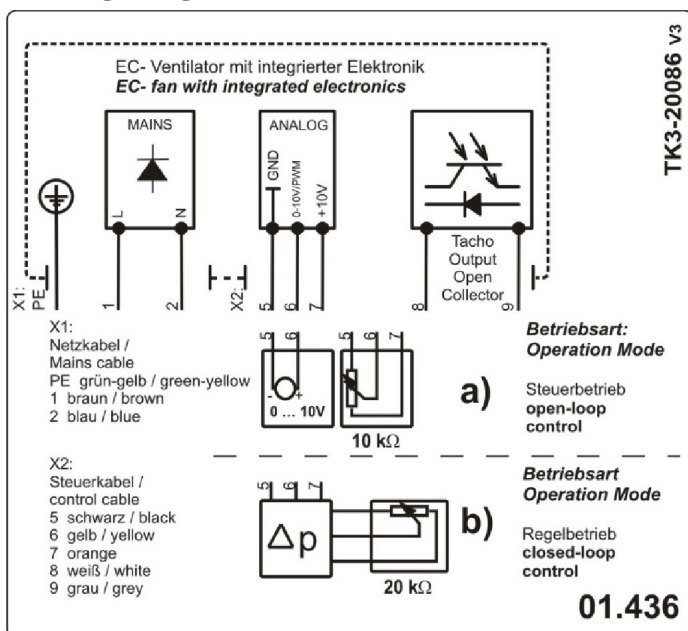
Technical Data:

U [V]	f [Hz]	P _e [kW]	I _N [A]	n _N [1/min]	C [μF]	t _R [°C]	k ₁₀ [m ² s/h]	I _A / I _N	IP	m [kg]
1~230	50/60	0,09	0,74	3910	-	50	-	-	IP 44	3,5

Sound:

			125Hz	250Hz	500Hz	1KHz	2KHz	4KHz	8KHz
L _{wA2} [db(A)]	Housing	-10	-18	-19	-19	-15	-17	-22	-30
L _{wA5} [db(A)]	Inlet	1	-24	-11	-5	-5	-5	-7	-15
L _{wA6} [db(A)]	Outlet	0	-27	-14	-7	-5	-6	-8	-15

Wiring Diagram:



Drawing:

