

Circular suspension

DRSNR



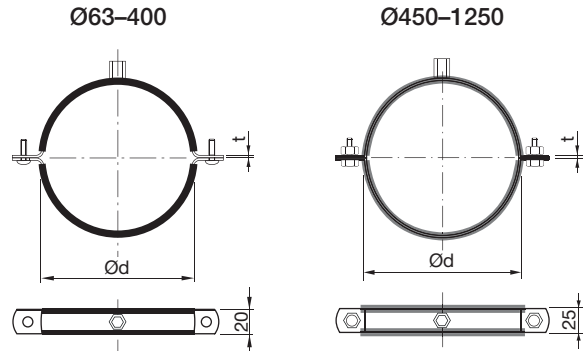
Description

For suspension of circular ducting.

With vibration-damping internal rubber lining. Combined connection nut M8/M10 and slotted quick closure for Ø 63–400.



Dimensions



Ø63–400

With slotted quick closure.
With screw PH3 M6×20.
Connection nut M8+M10.

Ø450–1250

With Ø 10 hole.
With bolt and nut H17 M10×30.
Connection nut M8+M10.

Ød nom	t [mm]	m [kg]
63	1,5	0,14
80	1,5	0,17
100	1,5	0,19
125	1,5	0,23
140	1,5	0,25
150	1,5	0,26
160	1,5	0,27
180	1,5	0,30
200	1,5	0,32
224	1,5	0,35
250	1,5	0,43
280	1,5	0,47
300	1,5	0,50
315	1,5	0,52
355	1,5	0,59
400	1,5	0,65
450	2,5	1,03
500	2,5	1,13
560	2,5	1,25
600	2,5	1,30
630	2,5	1,40
710	2,5	1,70
800	2,5	1,80
900	2,5	2,00
1000	2,5	2,20
1120	2,5	2,40
1250	2,5	2,70

Ordering example

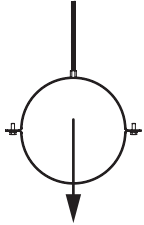
Product	DRSNR	250
Dimension Ød		

Circular suspension

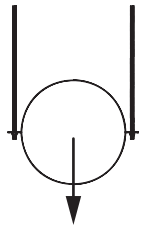
DRSNR

Technical data

Max recommended load for different fire classes.



Installation	Ventilation system					Smoke control system
	R0 no fire class. kg	R15 kg	R30 kg	R45 kg	R60 kg	
Dim						600 °C 120 min. kg
63-600	65	-	-	-	-	-
630-1250	65	-	-	-	-	-



Installation	Ventilation system					Smoke control system
	R0 no fire class. kg	R15 kg	R30 kg	R45 kg	R60 kg	
Dim						600 °C 120 min. kg
450-1250	160	-	-	-	-	-